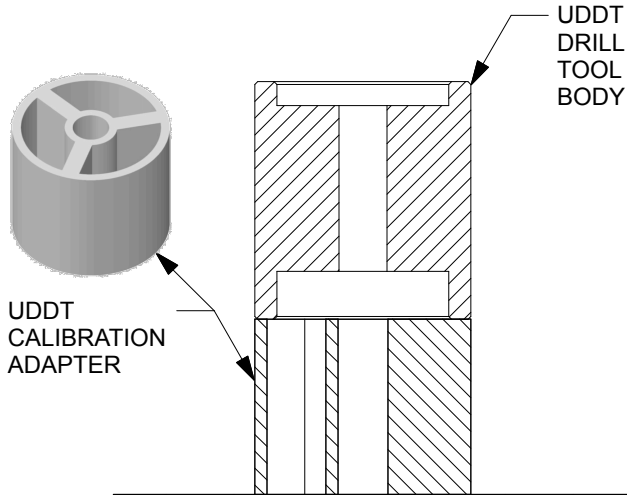




HOW TO INSTALL AND CALIBRATE THE DRILL BIT IN THE KNOB OF THE UNIVERSAL DELAY DRILLING TOOL (UDDT)

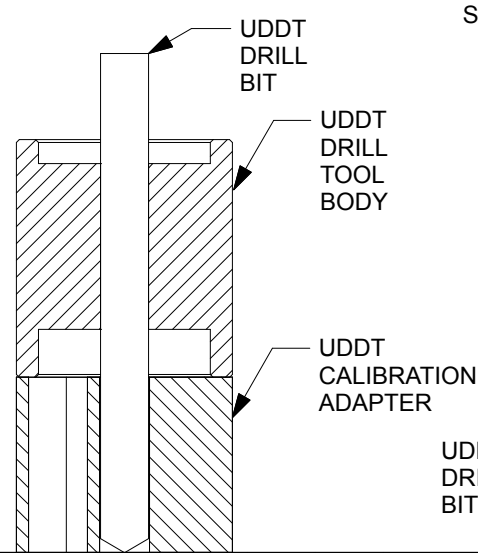
STEP 1

STACK THE UDDT DRILL TOOL BODY ON TOP OF THE UDDT CALIBRATION ADAPTER ON A TABLE OR OTHER FLAT SURFACE. ORIENTATION DOESN'T MATTER. **NOTE: DO NOT USE THE WASHER IN THE CALIBRATION PROCESS**



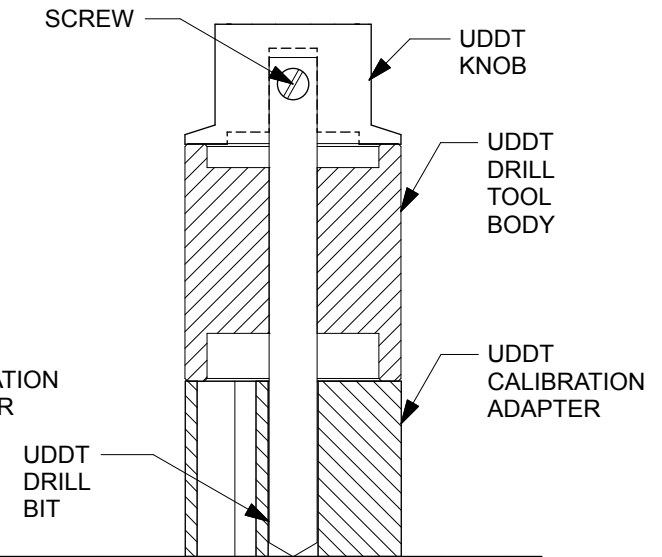
STEP 2

INSERT DRILL BIT THROUGH DRILL TOOL BODY AND UDDT CALIBRATION ADAPTER
TIP OF DRILL BIT MUST TOUCH TABLE!!



STEP 3

PLACE KNOB OVER DRILL BIT
MAKE SURE KNOB IS RESTING ON TOOL BODY
TIGHTEN SCREW IN KNOB ON DRILL BIT SECURELY



**VERIFY THE TIP OF THE DRILL BIT IS POSITIONED AS SHOWN!!
REMOVE UDDT CALIBRATION ADAPTER BEFORE USE**