

8

7

6

5

4

3

2

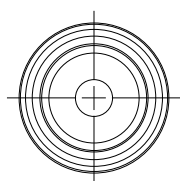
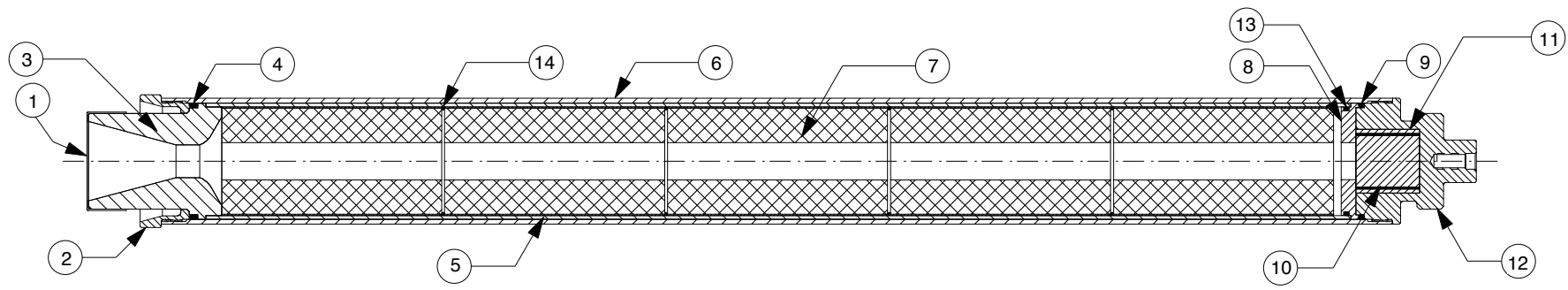
1

NOTES:

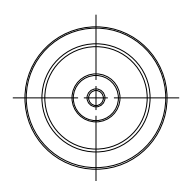
- MOTOR ASSEMBLY SHOWN WITH SPECIFIED MOTOR HARDWARE & RELOAD KIT.

REVISIONS

EFFECTIVITY	REV	DESCRIPTION	DATE	APPROVED
FUTURE	A	FIRST RELEASE ISSUE	8 / 19 / 99	
FUTURE	B	REV PROPELLANT TO SLOW WHITE LIGHTNING	11 / 11 / 99	
FUTURE	C	PER EO "C", NEW HP NOZZLE	11 / 08 / 04	
FUTURE	D	PER EO "D", ADDED FORWARD SEAL DISK AND SEAL DISK O-RING, REMOVED FWD INSULATOR	5 / 27 / 08	
FUTURE	E	PER EO "E", SHORTER PROPELLANT GRAINS	6 / 11 / 08	
FUTURE	F	ADDED GRAIN SPACER O-RINGS	12 / 30 / 09	



VIEW AFT CLOSURE



VIEW FORWARD CLOSURE


4	00036	GRAIN SPACER O-RINGS (2-1/2" X 1/16")	036	14
1	00142	FORWARD SEAL DISK O-RING		13
1	75FCP	FORWARD CLOSURE (PLUGGED)		12
1	03080	SMOKE CHG INSULATOR (1.5" O.D. X 1.5")		11
1	03287	SMOKE CHARGE (1.305" O.D. X 1.5")		10
1	00230	FORWARD O-RING (2.75" O.D. X 1/8")	230	9
1	75FSD	FORWARD SEAL DISK		8
5	03617	PROPELLANT GRAINS (2.557" O.D. X 5.188")		7
1	7564C	CASE		6
1	03035-4	PHENOLIC LINER (2.727" O.D. X 27.000")		5
1	00230	AFT O-RING (2.75" O.D. X 1/8")	230	4
1	01770-1	HP 75MM NOZZLE (.769" DT DRILLED)		3
1	75ACC	AFT CLOSURE		2
1	04214	NOZZLE CAP (2.25" I.D.)		1

QTY	PART NUMBER	DESCRIPTION	ITEM
LIST OF MATERIAL			
CONTRACT NUMBER			
PREP	B. ROSENFELD	8 / 99	
CHKR			
APVD			
APVD			

HP 75/6400 MOTOR WITH M1315W-P RELOAD KIT

SIZE **A** NUMBER **ASSY DWG**

SCALE 1 / 4 SHEET 1 OF 1



2113 W. 850 N. Street
Cedar City, Utah 84720
(435) 865-7100 (Ph)
(435) 865-7120 (Fax)

SUPPLIER DATA		RELOAD KIT IDENTIFICATION		UNLESS OTHERWISE SPECIFIED DIMENSIONS ARE IN INCHES		
AEROTECH DIV RCS RMC INC.	13131P	M1315W-P	.XX +/- .010	.XXX +/- .005	ANGLES +/- 2 deg.	
PART NUMBER	DESCRIPTION					

8

7

6

5

4

3

2

1