

8

7

6

5

4

3

2

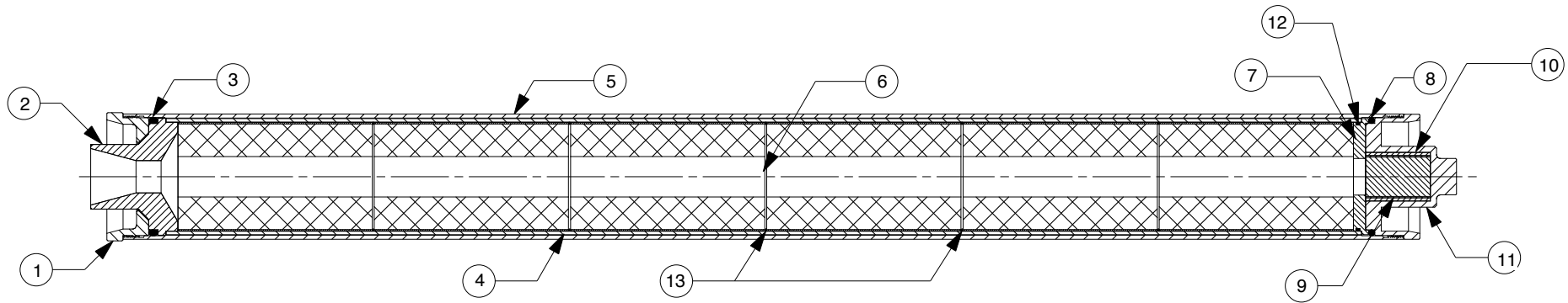
1

NOTES:

1. MOTOR ASSEMBLY SHOWN WITH SPECIFIED MOTOR HARDWARE & RELOAD KIT.

REVISIONS

EFFECTIVITY	REV	DESCRIPTION	DATE	APPROVED
FUTURE	A	FIRST RELEASE ISSUE	11 / 11 / 99	
FUTURE	B	CHANGED NOZZLE DESIGNATION TO 01800-5(M)	4 / 12 / 07	
FUTURE	C	REMOVED SMOKE CHARGE SEALING COMPONENTS	1 / 11 / 08	
FUTURE	D	ADDED FORWARD SEAL DISK AND SEAL DISK O-RING, REMOVED FWD INSULATOR	8 / 21 / 08	
FUTURE	E	ADDED GRAIN SPACER O-RINGS	1 / 4 / 10	



5	00042	GRAIN SPACER O-RINGS (3-3/8" O.D. X 1/16") 042	13
1	00151	FWD SEAL DISK O-RING (3-3/8" O.D. X 3/32") 151	12
1	98FCP	FORWARD CLOSURE (PLUGGED)	11
1	03081	SMOKE CHG INSULATOR (1.5" O.D. X 2.0")	10
1	03288	SMOKE CHARGE (1.305" O.D. X 2.0")	9
1	00339	FORWARD O-RING (3.625" O.D. X 3/16") 339	8
1	98FSD	FORWARD SEAL DISK	7
6	03618-4	PROPELLANT GRAINS (3.37" O.D. X 6.00")	6
1	9815C	CASE	5
1	03040-6	PHENOLIC LINER (3.592" O.D. X 36.938")	4
1	00339	AFT O-RING (3.625" O.D. X 3/16") 339	3
1	01800-5(M)	NOZZLE (KLMN 98MM) 1.0" I.D. /1.75" EXIT	2
1	98ACC	AFT CLOSURE	1

SUPPLIER DATA		RELOAD KIT IDENTIFICATION		UNLESS OTHERWISE SPECIFIED DIMENSIONS ARE IN INCHES		
AEROTECH DIV RCS RMC INC.		14200P	N2000W-P	.XX +/- .010	.XXX +/- .005	ANGLES +/- 2 deg.
MATERIAL						
NOTED						
FINISH						
PART NUMBER		DESCRIPTION				

LIST OF MATERIAL

CONTRACT NUMBER

PREP B. ROSENFELD 8 / 99

CHKR

APVD

APVD

SCALE 1 / 5

SHEET 1 OF 1

2113 W. 850 N. Street
Cedar City, Utah 84720
(435) 865-7100 (Ph)
(435) 865-7120 (Fax)

RCS ROCKET MOTOR COMPONENTS

HP 98/15360 MOTOR WITH N2000W-P RELOAD KIT

SIZE **A** NUMBER

ASSY DWG

8

7

6

5

4

3

2

1