

8

7

6

5

4

3

2

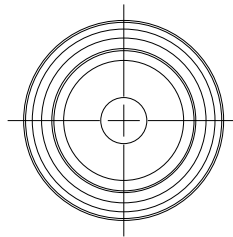
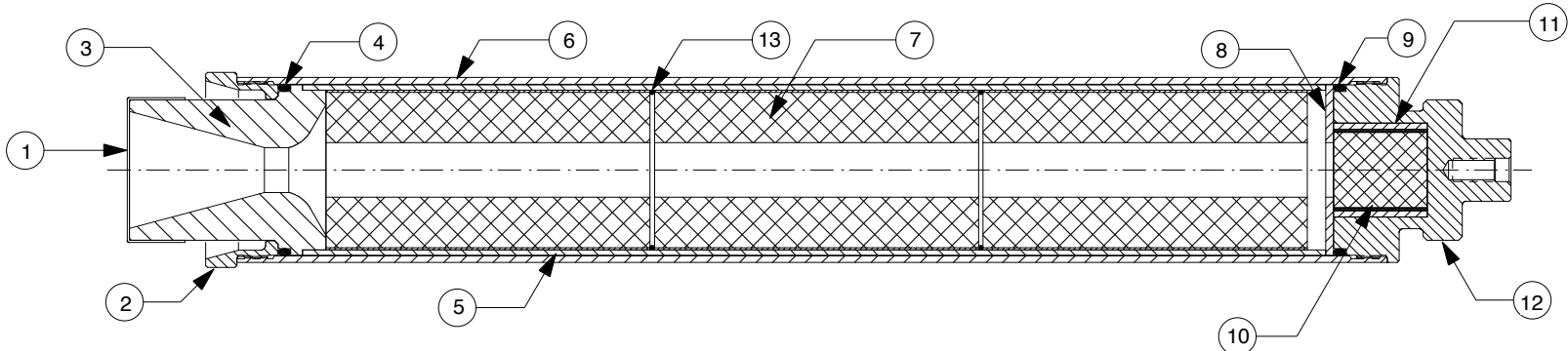
1

REVISIONS

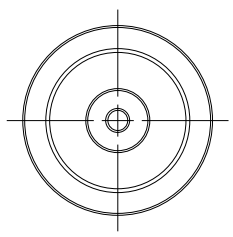
EFFECTIVITY	REV	DESCRIPTION	DATE	APPROVED
FUTURE	A	FIRST RELEASE ISSUE	3 / 10 / 10	

NOTES:

1. MOTOR ASSEMBLY SHOWN WITH SPECIFIED MOTOR HARDWARE & RELOAD KIT.



VIEW AFT CLOSURE



VIEW FORWARD CLOSURE

QTY	PART NUMBER	DESCRIPTION	ITEM
2	00036	GRAIN SPACER O-RINGS (2-1/2" X 1/16") 036	13
1	75FCP	FORWARD CLOSURE (PLUGGED)	12
1	03080	SMOKE CHG INSULATOR (1.5" O.D. X 1.5")	11
1	03287	SMOKE CHARGE(1.305" O.D. X 1.5")	10
1	00230	FORWARD O-RING (2.75" O.D. X 1/8") 230	9
1	05408	FORWARD INSULATOR (2.730" O.D. X .125")	8
3	03616-2	PROP GRAINS (2.557" O.D. X 5.188" X .875" CORE)	7
1	7538C	CASE	6
1	03035-3	PHENOLIC LINER (2.727" O.D. X 16.375")	5
1	00230	AFT O-RING (2.75" O.D. X 1/8") 230	4
1	01770-5	HP 75MM NOZZLE (.719" DT DRILLED)	3
1	75ACC	AFT CLOSURE	2
1	04214	NOZZLE CAP (2.25" I.D.)	1

LIST OF MATERIAL			
CONTRACT NUMBER		2113 W. 850 N. Street Cedar City, Utah 84721 (435) 865-7100 (Ph) (435) 865-7120 (Fax)	
PREP	G. ROSENFELD	3 / 10	 HP 75/3840 MOTOR WITH L1520T-P RELOAD KIT
CHKR			
APVD		SIZE	NUMBER
APVD		A	ASSY DWG
SCALE 1 / 3		SHEET 1 OF 1	

SUPPLIER DATA		RELOAD KIT IDENTIFICATION	
AEROTECH DIV. RCS RMC INC.	12152P	L1520T-P	
UNLESS OTHERWISE SPECIFIED DIMENSIONS ARE IN INCHES			
.XX +/- .010	.XXX +/- .005	ANGLES +/- 2 deg.	
MATERIAL		NOTED	
FINISH			
PART NUMBER	DESCRIPTION		

8

7

6

5

4

3

2

1