

8

7

6

5

4

3

2

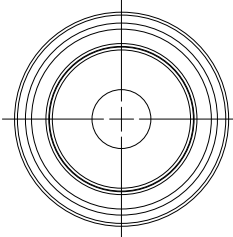
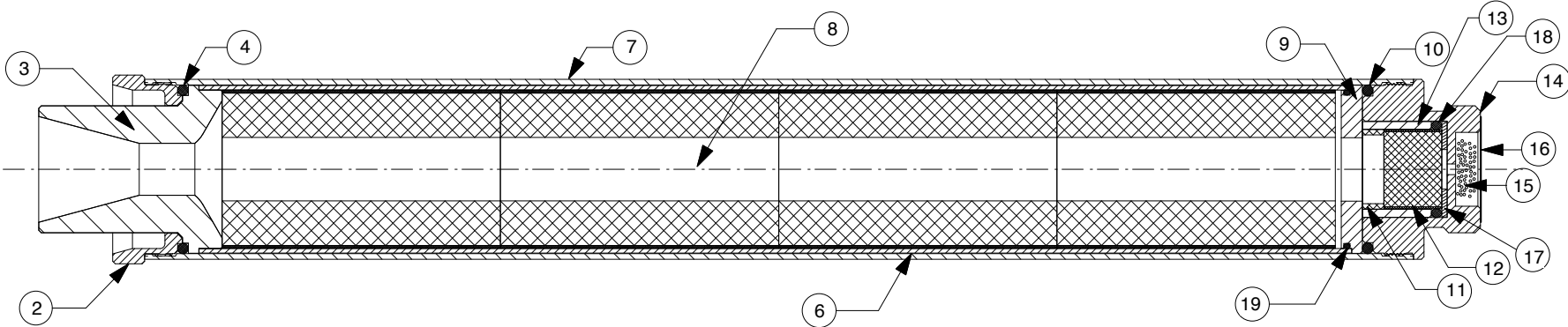
1

REVISIONS

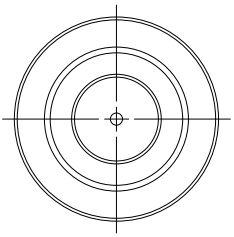
EFFECTIVITY	REV	DESCRIPTION	DATE	APPROVED
FUTURE	A	FIRST RELEASE ISSUE	11 / 18 / 11	

NOTES:

1. MOTOR ASSEMBLY SHOWN WITH SPECIFIED MOTOR HARDWARE & RELOAD KIT.



VIEW AFT CLOSURE



VIEW FORWARD CLOSURE

QTY	PART NUMBER	DESCRIPTION	ITEM
1	00031	FWD SEAL DISK O-RING (1-7/8" O.D. X 1/16") 031	19
1	00002	DELAY O-RING(1.17" O.D. X .123")	18
1	03355	FWD DELAY SPACER (1-1/8" O.D. X .062")	17
1	05604	EJECTION CHARGE CAP (1-1/4")	16
1	03700	EJECTION CHARGE (USER SUPPLIED)	15
1	54FCC	FORWARD CLOSURE (REGULAR)	14
1	03356	DELAY INSULATOR (1.13" O.D. X .815")	13
1	03912	DELAY GRAIN (.933" O.D. X .685")	12
1	03962	AFT DELAY SPACER (.94" O.D. X .253")	11
1	00224	FORWARD O-RING (2" O.D. X 1/8") 224	10
1	54FSD	FORWARD SEAL DISK- 54MM RMS	9
4	03X54-1	PROPELLANT GRAINS (1.87" O.D. X 3.285")	8
1	5417C	CASE	7
1	03000-4	PHENOLIC LINER (1.99" O.D. X 13.610")	6
NA		INNER LINER	5
1	00224	AFT O-RING (2" O.D. X 1/8") 224	4
1	01670-3	54MM H/P NOZZLE (.615 DT DRILLED)	3
1	54ACC	AFT CLOSURE	2
NA		NOZZLE CAP (1.5" I.D.)	1

SUPPLIER DATA		RELOAD KIT IDENTIFICATION	
AEROTECH DIV RCS RMC, INC	111103L	K1103X-14A	
UNLESS OTHERWISE SPECIFIED DIMENSIONS ARE IN INCHES			
		.XX +/- .010	.XXX +/- .005
		ANGLES +/- 2 deg.	
MATERIAL			
NOTED			
FINISH			
PART NUMBER		DESCRIPTION	

LIST OF MATERIAL

CONTRACT NUMBER

PREP G. ROSENFIELD 11 / 11

CHKR

APVD

APVD

SCALE 1 / 2

SHEET 1 OF 1

2113 W. 850 N. Street
Cedar City, Utah 84720
(435) 865-7100 (Ph)
(435) 865-7120 (Fax)

RCS ROCKET MOTOR COMPONENTS, INC.

HP 54/1706 MOTOR WITH K1103X-14A RELOAD KIT

ASSY DWG

8

7

6

5

4

3

2

1