

8

7

6

5

4

3

2

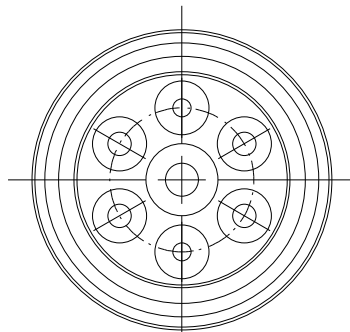
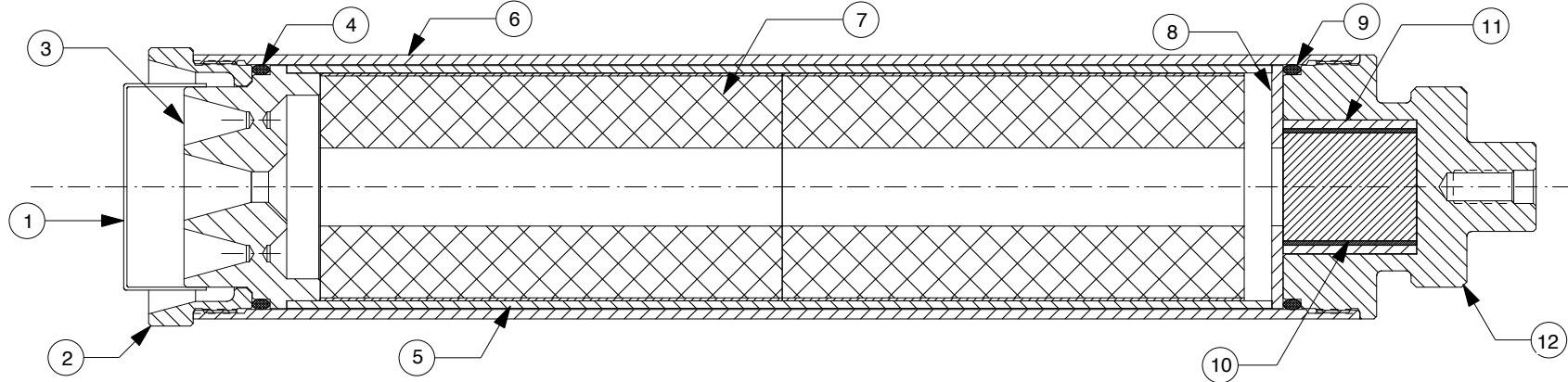
1

REVISIONS

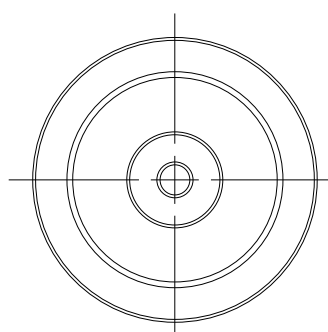
| EFFECTIVITY | REV | DESCRIPTION | DATE | APPROVED |
|-------------|-----|---------------------|---------|----------|
| FUTURE | A | FIRST RELEASE ISSUE | 1/14/10 | |

NOTES:

1. MOTOR ASSEMBLY SHOWN WITH SPECIFIED MOTOR HARDWARE & RELOAD KIT.



VIEW AFT CLOSURE



VIEW FORWARD CLOSURE

| QTY | PART NUMBER | DESCRIPTION | ITEM |
|-----|-------------|---|------|
| 1 | 75FCP | FORWARD CLOSURE (PLUGGED) | 12 |
| 1 | 03080 | SMOKE CHG INSULATOR (1.5" O.D. X 1.5") | 11 |
| 1 | 03287 | SMOKE CHARGE(1.305"O.D. X 1.5") | 10 |
| 1 | 00230 | FORWARD O-RING (2.75" O.D. X 1/8") 230 | 9 |
| 1 | 05408 | FORWARD INSULATOR (2.730" O.D. X .125") | 8 |
| 2 | 03616-2 | PROPELLANT GRAINS (2.557" O.D. X 5.188") | 7 |
| 1 | 7525C | CASE | 6 |
| 1 | 03035-2 | PHENOLIC LINER (2.727" O.D. X 11.062") | 5 |
| 1 | 00230 | AFT O-RING (2.75" O.D. X 1/8") 230 | 4 |
| 1 | 01750-2 | NOZZLE (75MM MEDUSA)1 x .344"/ 4 x .242" | 3 |
| 1 | 75ACC | AFT CLOSURE | 2 |
| 1 | 04214 | NOZZLE CAP (2.25" I.D.) | 1 |

| UNLESS OTHERWISE SPECIFIED DIMENSIONS ARE IN INCHES | | LIST OF MATERIAL | |
|---|------------------|------------------------|--|
| .XX +/- .010 | .XXX +/- .005 | ANGLES +/- 2 deg. | |
| MATERIAL | | CONTRACT NUMBER | |
| NOTED | | PREP G. ROSENFELD 1/10 | |
| FINISH | | CHKR | |
| PART NUMBER | | DESCRIPTION | |
| DESCRIPTION | | SCALE 1/2 | |

RCS ROCKET MOTOR COMPONENTS... 2113 W. 850 N. Street Cedar City, Utah 84720 (435) 865-7100 (Ph) (435) 865-7120 (Fax)

HP 75/2560 MOTOR WITH K1000W-P RELOAD KIT

ASSY DWG

SHEET 1 OF 1

8

7

6

5

4

3

2

1