

8

7

6

5

4

3

2

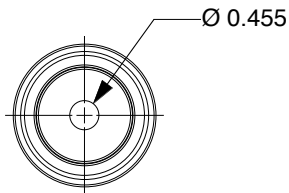
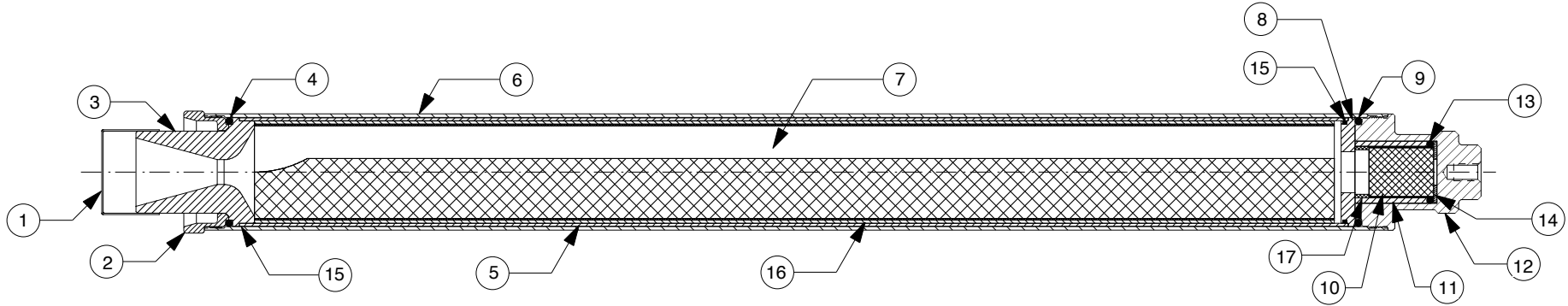
1

### REVISIONS

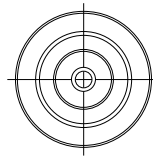
EFFECTIVITY	REV	DESCRIPTION	DATE	APPROVED
FUTURE	A	FIRST RELEASE ISSUE	8 / 19 / 07	

#### NOTES:

1. MOTOR ASSEMBLY SHOWN WITH SPECIFIED MOTOR HARDWARE & RELOAD KIT.




VIEW AFT CLOSURE



VIEW FORWARD CLOSURE

1	03962	AFT SMOKE SPACER (.94" O.D. X .253")	17
1	02080	INNER LINER (1.87" O.D. X 19.74")	16
1	00031	SEAL DISK O-RING (1-7/8" O.D. X 1/16") 031	15
1	03355	FWD SMOKE SPACER (1-1/8" O.D. X .062")	14
1	00002	SMOKE O-RING (1.17" O.D. X .123")	13
1	54FCEPT	FORWARD CLOSURE, EXT (PLUG & TAPPED)	12
1	03357	SMOKE CHG INSULATOR (1.13" O.D. X 1.315")	11
1	03930	SMOKE CHARGE (.933" O.D. X 1.175")	10
1	00224	FORWARD O-RING (2" O.D. X 1/8") 224	9
1	54FSD	FORWARD SEAL DISK- 54MM RMS	8
1	03594	PROPELLANT GRAIN (1.75" O.D. X 19.74")	7
1	5425C	CASE	6
1	03000-6	PHENOLIC LINER (1.99" O.D. X 20.270")	5
1	00224	AFT O-RING (2" O.D. X 1/8") 224	4
1	01670	54MM H/P NOZZLE (.455" DT UNDRILLED)	3
1	54ACC	AFT CLOSURE	2
1	04112	NOZZLE CAP (1.5" I.D.)	1

QTY	PART NUMBER	DESCRIPTION	ITEM
LIST OF MATERIAL			
CONTRACT NUMBER		 2113 W. 850 N. Street Cedar City, Utah 84720 (435) 865-7100 (Ph) (435) 865-7120 (Fax)	
PREP	G. ROSENFELD		
CHKR	8 / 07	<b>HP 54/2560 MOTOR WITH K270W-P RMS-PLUS™ RELOAD KIT</b>	
APVD		SIZE	NUMBER
APVD		<b>A</b>	<b>ASSY DWG</b>
SCALE 1 / 3		SHEET 1 OF 1	

#### SUPPLIER DATA

AEROTECH/RCS RMC, INC.

#### RELOAD KIT IDENTIFICATION

11270P

K270W-P RMS-PLUS

UNLESS OTHERWISE SPECIFIED DIMENSIONS ARE IN INCHES

.XX +/- .010	.XXX +/- .005	ANGLES +/- 2 deg.
-----------------	------------------	----------------------

MATERIAL

NOTED

FINISH

PART NUMBER

DESCRIPTION

8

7

6

5

4

3

2

1