

8

7

6

5

4

3

2

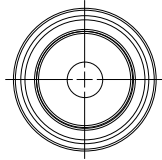
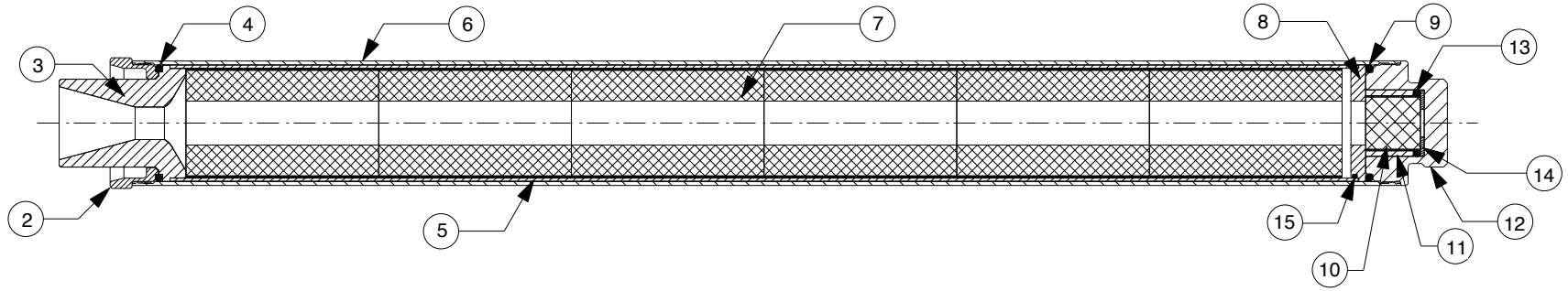
1

REVISIONS

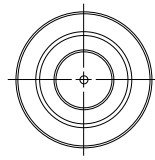
EFFECTIVITY	REV	DESCRIPTION	DATE	APPROVED
FUTURE	A	FIRST RELEASE ISSUE	1 / 25 / 10	

NOTES:

- 1. MOTOR ASSEMBLY SHOWN WITH SPECIFIED MOTOR HARDWARE & RELOAD KIT.



VIEW AFT CLOSURE



VIEW FORWARD CLOSURE

QTY	PART NUMBER	DESCRIPTION	ITEM
1	00031	FWD SEAL DISK O-RING (1-7/8" O.D. X 1/16") 031	15
1	03355	FWD SMOKE SPACER (1-1/8" O.D. X .062")	14
1	00002	SMOKE O-RING (1.17" O.D. X .123")	13
1	54FCP	FORWARD CLOSURE (PLUGGED)	12
1	03356	SMOKE CHG INSULATOR (1.13" O.D. X .815")	11
1	03924	SMOKE CHARGE (.933" O.D. X .938")	10
1	00224	FORWARD O-RING (2" O.D. X 1/8") 224	9
1	54FSD	FORWARD SEAL DISK- 54MM RMS	8
6	03602-1	PROP GRAINS (1.87" O.D. X 3.285" X .750 CORE) 8225SSW	7
1	5425C	CASE	6
1	03000-6	PHENOLIC LINER (1.99" O.D. X 20.270")	5
1	00224	AFT O-RING (2" O.D. X 1/8") 224	4
1	01670-5	54MM H/P NOZZLE (.555" DT DRILLED)	3
1	54ACC	AFT CLOSURE	2
NA		NOZZLE CAP (1.5" I.D.)	1

CONTRACT NUMBER		LIST OF MATERIAL	
PREP	G. ROSENFELD	1 / 10	
CHKR			
APVD		SIZE	NUMBER
APVD		A	ASSY DWG
SCALE 1 / 3		SHEET 1 OF 1	

SUPPLIER DATA		RELOAD KIT IDENTIFICATION		UNLESS OTHERWISE SPECIFIED DIMENSIONS ARE IN INCHES		
AEROTECH/RCS RMC INC.		11480P	K480W-P	.XX	.XXX	ANGLES
				+/- .010	+/- .005	+/- 2 deg.
				MATERIAL		
				NOTED		
				FINISH		
		PART NUMBER	DESCRIPTION			

RCS ROCKET MOTOR COMPONENTS, INC.
 2113 W. 850 N. Street
 Cedar City, Utah 84721
 (435) 865-7100 (Ph)
 (435) 865-7120 (Fax)

HP 54/2560 MOTOR WITH K480W-P RMS-PLUS™ RELOAD KIT

8

7

6

5

4

3

2

1