

8

7

6

5

4

3

2

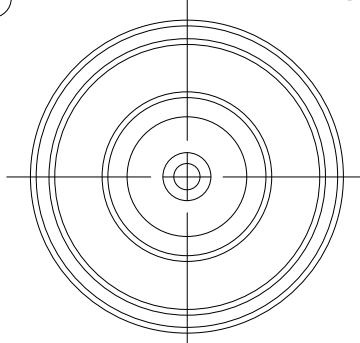
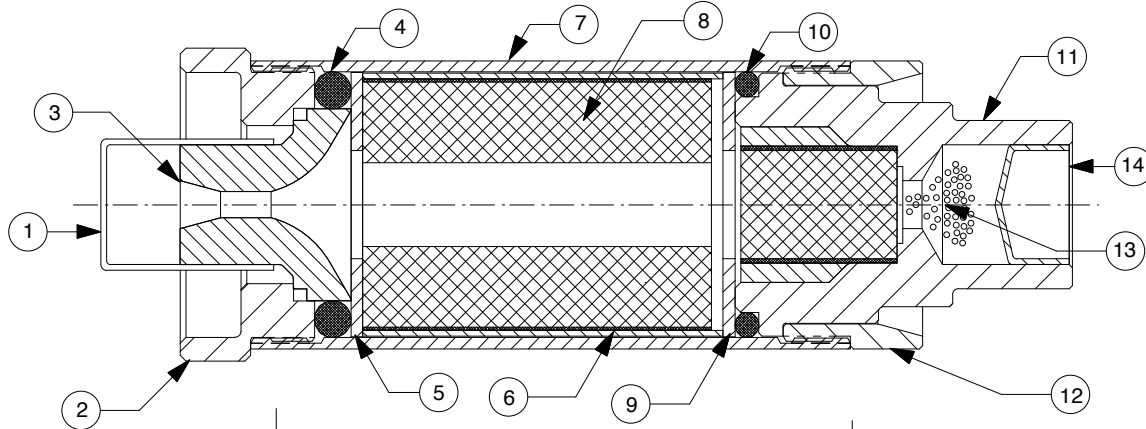
1

REVISIONS

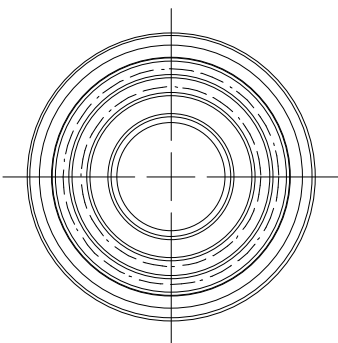
EFFECTIVITY	REV	DESCRIPTION	DATE	APPROVED
FUTURE	A	FIRST RELEASE ISSUE	8 / 22 / 14	

NOTES:

- MOTOR ASSEMBLY SHOWN WITH SPECIFIED MOTOR HARDWARE & RELOAD KIT.



VIEW AFT END



VIEW FORWARD END

QTY	PART NUMBER	DESCRIPTION	ITEM
1	0406-5	EJECTION CAPLUG	14
1	05708	EJECTION CHARGE ASSY	13
1	38FCRR	38MM FWD CLOSURE RETAINING RING	12
1	38EZBAW	RMS-EZ FWD BULKHEAD ASSY- WL	11
1	00216	FORWARD O-RING (1 3/8" O.D. X 1/8") 216	10
1	05404	FWD INSULATOR(1.375"O.D.X.562"l.D.X1/16")	9
1	03581	PROPELLANT (1.308" O.D. X 1.815") 8225W	8
1	3812C	CASE	7
1	02052	LINER (1.372" O.D. X 1.875")	6
1	05404	AFT INSULATOR(1.375"O.D.X.562"l.D.X1/16")	5
1	00318	AFT O-RING (1.375" O.D. X 3/16") 318	4
1	01400-3	NOZZLE (F10/F30) DRILLED .136"	3
1	38AC2	AFT CLOSURE L2	2
1	04580	NOZZLE CAP (5/8" I.D.)	1

SUPPLIER DATA

AEROTECH DIV RCS RMC, INC.

076114

RELOAD KIT IDENTIFICATION

G61W-14A RMS-EZ


UNLESS OTHERWISE SPECIFIED DIMENSIONS ARE IN INCHES

.XX +/- .010	.XXX +/- .005	ANGLES +/- 2 deg.
-----------------	------------------	----------------------

MATERIAL

NOTED

FINISH

CONTRACT NUMBER		 <p>2113 W. 650 N. Street Cedar City, Utah 84721 (435) 865-7100 (Ph) (435) 865-7120 (Fax)</p>
PREP G. ROSENFELD	8 / 14	
CHKR		<p>HP 38/120 MOTOR WITH G61W-14A RMS-EZ™ RELOAD KIT</p> <p>SIZE A NUMBER ASSY DWG</p>
APVD		SCALE 1 / 1
APVD		SHEET 1 OF 1

PART NUMBER

DESCRIPTION

8

7

6

5

4

3

2

1