

8

7

6

5

4

3

2

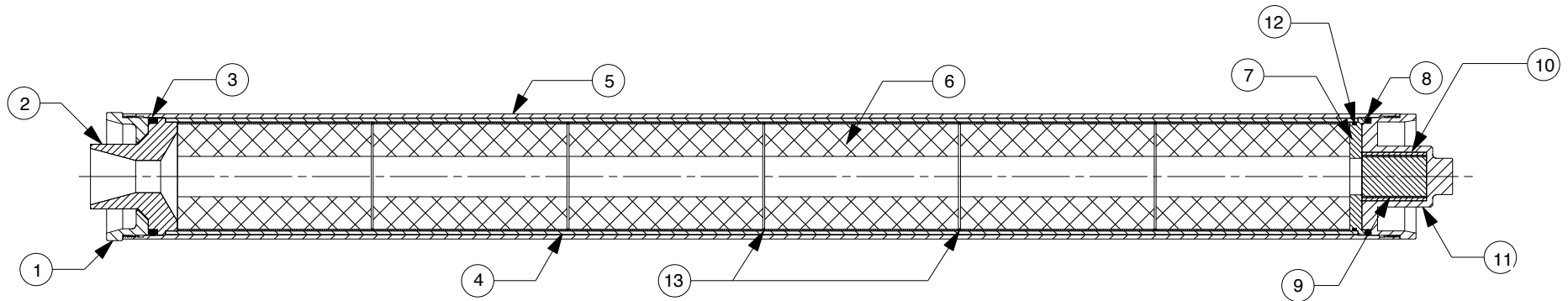
1

REVISIONS

EFFECTIVITY	REV	DESCRIPTION	DATE	APPROVED
FUTURE	A	FIRST RELEASE ISSUE	4 / 9 / 09	
FUTURE	B	ADDED GRAIN SPACER O-RINGS	11 / 2 / 09	

NOTES:

1. MOTOR ASSEMBLY SHOWN WITH SPECIFIED MOTOR HARDWARE & RELOAD KIT.



5	00042	GRAIN SPACER O-RINGS (3-3/8" O.D. X 1/16") 042	13
1	00151	FWD SEAL DISK O-RING (3-3/8" O.D. X 3/32") 151	12
1	98FCP	FORWARD CLOSURE (PLUGGED)	11
1	03081	SMOKE CHG INSULATOR (1.5" O.D. X 2.0")	10
1	03288	SMOKE CHARGE (1.305" O.D. X 2.0")	9
1	00339	FORWARD O-RING (3.625" O.D. X 3/16") 339	8
1	98FSD	FORWARD SEAL DISK	7
6	03618-6	PROPELLANT GRAINS (3.37" O.D. X 6.00")	6
1	9815C	CASE	5
1	03040-6	PHENOLIC LINER (3.592" O.D. X 36.938")	4
1	00339	AFT O-RING (3.625" O.D. X 3/16") 339	3
1	01800-5(M)	NOZZLE ( KLMN 98MM) 1.0" I.D. /1.75" EXIT	2
1	98ACC	AFT CLOSURE	1

SUPPLIER DATA		RELOAD KIT IDENTIFICATION	
AEROTECH DIV RCS RMC INC.	14330P	N3300R-P	
PART NUMBER		DESCRIPTION	

UNLESS OTHERWISE SPECIFIED DIMENSIONS ARE IN INCHES

.XX +/- .010	.XXX +/- .005	ANGLES +/- 2 deg.
MATERIAL		
NOTED		
FINISH		

QTY	PART NUMBER	DESCRIPTION	ITEM
LIST OF MATERIAL			
CONTRACT NUMBER		<p>2113 W. 850 N. Street Cedar City, Utah 84720 (435) 865-7100 (Ph) (435) 865-7120 (Fax)</p>	
PREP	G. ROSENFELD	4 / 09	
CHKR			
APVD			
APVD			
SIZE		NUMBER	
A		ASSY DWG	
SCALE 1 / 5			SHEET 1 OF 1

8

7

6

5

4

3

2

1