

8

7

6

5

4

3

2

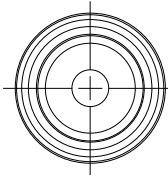
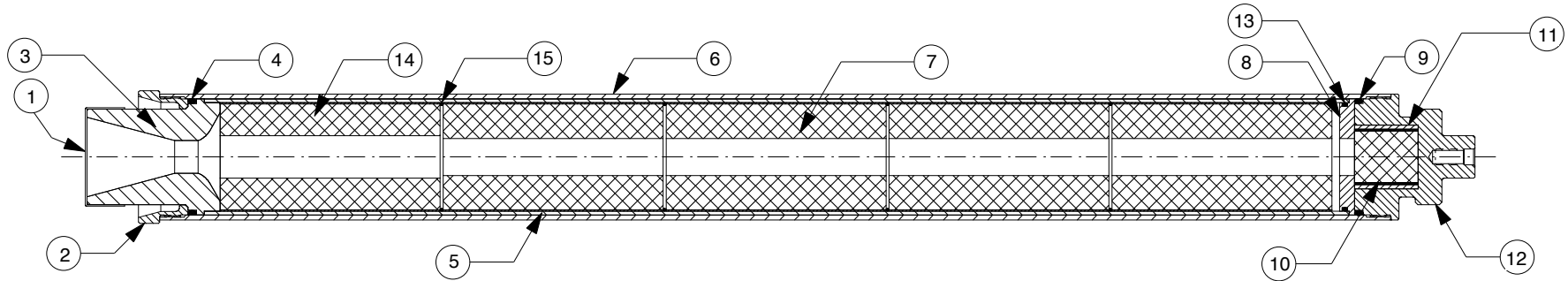
1

NOTES:

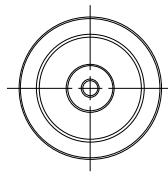
- 1. MOTOR ASSEMBLY SHOWN WITH SPECIFIED MOTOR HARDWARE & RELOAD KIT.

REVISIONS

EFFECTIVITY	REV	DESCRIPTION	DATE	APPROVED
FUTURE	A	FIRST RELEASE ISSUE (REDLINE PROPELLANT)	6 / 12 / 01	
FUTURE	B	PER EO "B", NEW HP NOZZLE	11 / 08 / 04	
FUTURE	C	PER EO "C", ENLARGED AFT GRAIN CORE TO 1"	3 / 5 / 07	
FUTURE	D	PER EO "D", ADDED FORWARD SEAL DISK AND SEAL DISK O-RING REMOVED TWO INSULATOR, SHORTER PROPELLANT GRAINS	6 / 11 / 08	
FUTURE	E	ADDED GRAIN SPACER O-RINGS	12 / 30 / 09	




VIEW AFT CLOSURE



VIEW FORWARD CLOSURE

4	00036	GRAIN SPACER O-RINGS (2-1/2" X 1/16")	036	15
1	03616-5	AFT PROPELLANT GRAIN (2.557" O.D. X 5.250")		14
1	00142	FORWARD SEAL DISK O-RING		13
1	75FCP	FORWARD CLOSURE (PLUGGED)		12
1	03080	SMOKE CHG INSULATOR (1.5" O.D. X 1.5")		11
1	03287	SMOKE CHARGE (1.305" O.D. X 1.5")		10
1	00230	FORWARD O-RING (2.75" O.D. X 1/8")	230	9
1	75FSD	FORWARD SEAL DISK		8
4	03616-1	FORWARD PROP. GRAINS (2.557" O.D. X 5.250")		7
1	7564C	CASE		6
1	03035-4	PHENOLIC LINER (2.727" O.D. X 27.000")		5
1	00230	AFT O-RING (2.75" O.D. X 1/8")	230	4
1	01770-1	HP 75MM NOZZLE (.769" DT DRILLED)		3
1	75ACC	AFT CLOSURE		2
1	04214	NOZZLE CAP (2.25" I.D.)		1

QTY	PART NUMBER	DESCRIPTION	ITEM
LIST OF MATERIAL			
CONTRACT NUMBER		 2113 W. 850 N. Street Cedar City, Utah 84720 (435) 865-7100 (Ph) (435) 865-7120 (Fax)	
PREP	B. ROSENFELD		
CHKR			
APVD		SIZE A	NUMBER
APVD		ASSY DWG	
SCALE 1 / 4		SHEET 1 OF 1	

SUPPLIER DATA

RELOAD KIT IDENTIFICATION

UNLESS OTHERWISE SPECIFIED DIMENSIONS ARE IN INCHES

AEROTECH DIV RCS RMC INC.

13155P

M1550R-P

.XX +/- .010 .XXX +/- .005 ANGLES +/- 2 deg.

MATERIAL

NOTED

FINISH

PART NUMBER

DESCRIPTION

8

7

6

5

4

3

2

1