

8

7

6

5

4

3

2

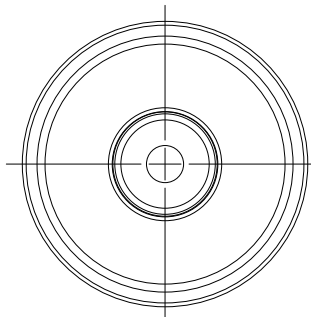
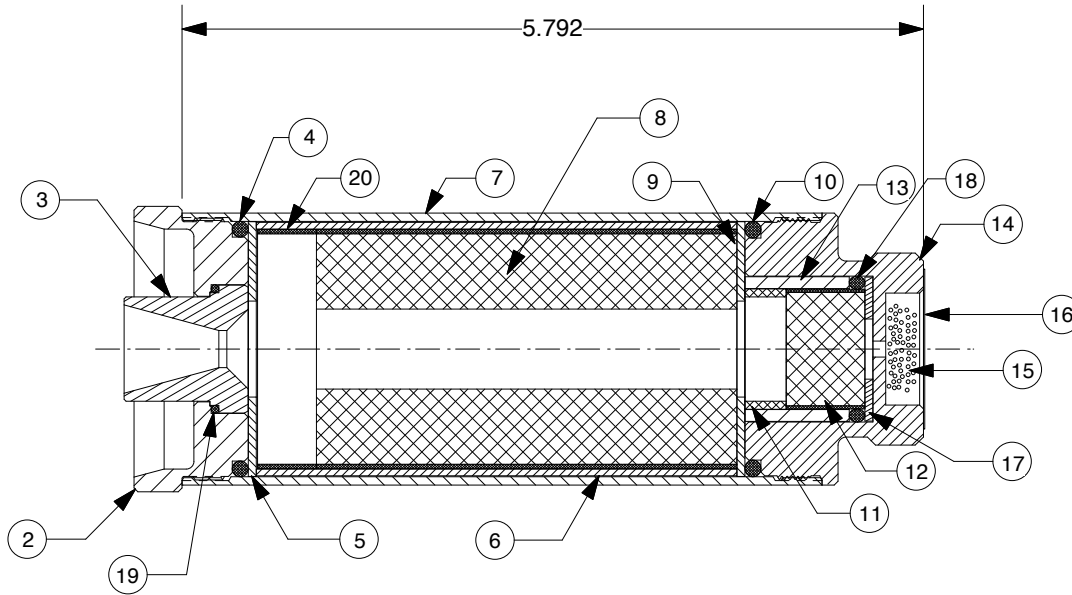
1

### REVISIONS

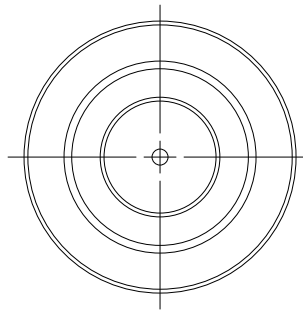
EFFECTIVITY	REV	DESCRIPTION	DATE	APPROVED
FUTURE	A	FIRST RELEASE ISSUE	4/2/10	

### NOTES:

- MOTOR ASSEMBLY SHOWN WITH SPECIFIED MOTOR HARDWARE & RELOAD KIT.



VIEW AFT CLOSURE



VIEW FORWARD CLOSURE

1	03109	GRAIN SPACER (1.870" O.D. X .460")	20
1	00020	NOZZLE O-RING (1" O.D. X 1/16") 020	19
1	00002	DELAY O-RING (1.17" O.D. X .123")	18
1	03355	FWD DELAY SPACER (1-1/8" O.D. X .062")	17
1	05604	EJECTION CHARGE CAP (1-1/4")	16
1	03700	EJECTION CHARGE (USER SUPPLIED)	15
1	54FCC	FORWARD CLOSURE (REGULAR)	14
1	03356	DELAY INSULATOR (1.13" O.D. X .815")	13
1	03908	DELAY GRAIN (.933" O.D. X .616")	12
1	03958	AFT DELAY SPACER (.94" O.D. X .322")	11
1	00224	FORWARD O-RING (2" O.D. X 1/8") 224	10
1	05406	FORWARD INSULATOR (1.99" O.D. X 1/16")	9
1	03G038	PROPELLANT GRAIN (1.870" O.D. X 3.285")	8
1	5442C	54/426 CASE	7
1	02070-1	PAPER LINER (1.99" O.D. X 3.755")	6
1	05406	AFT INSULATOR (1.99" O.D. X 1/16")	5
1	00224	AFT O-RING (2" O.D. X 1/8") 224	4
1	01550	NOZZLE (NEW L2) UNDRILLED .291"	3
1	54ACCSN	54MM AFT CLOSURE SMALL NOZZLE	2

### SUPPLIER DATA

AEROTECH/RCS RMC INC.

### RELOAD KIT IDENTIFICATION

09170M

I170G-10A

UNLESS OTHERWISE SPECIFIED DIMENSIONS ARE IN INCHES

.XX +/- .010	.XXX +/- .005	ANGLES +/- 2 deg.
-----------------	------------------	----------------------

MATERIAL

NOTED

FINISH

QTY	PART NUMBER	DESCRIPTION	ITEM
			1

LIST OF MATERIAL

CONTRACT NUMBER

**RCS** ROCKET MOTOR COMPONENTS, INC.  
 2113 W. 850 N. Street  
 Cedar City, Utah 84721  
 (435) 865-7100 (Ph)  
 (435) 865-7120 (Fax)

PREP G. ROSENFIELD 4/10

CHKR

APVD

APVD

**HP 54/426 MOTOR WITH I170G-10A RMS-PLUS™ RELOAD KIT**

SIZE **A** NUMBER **ASSY DWG**

SCALE 1/1.5 SHEET 1 OF 1

PART NUMBER

DESCRIPTION

8

7

6

5

4

3

2

1