

8

7

6

5

4

3

2

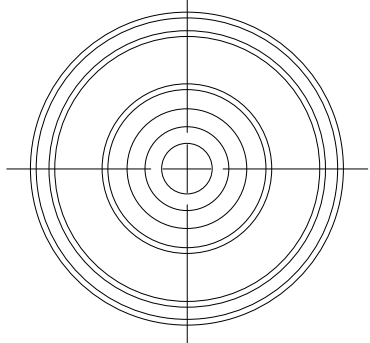
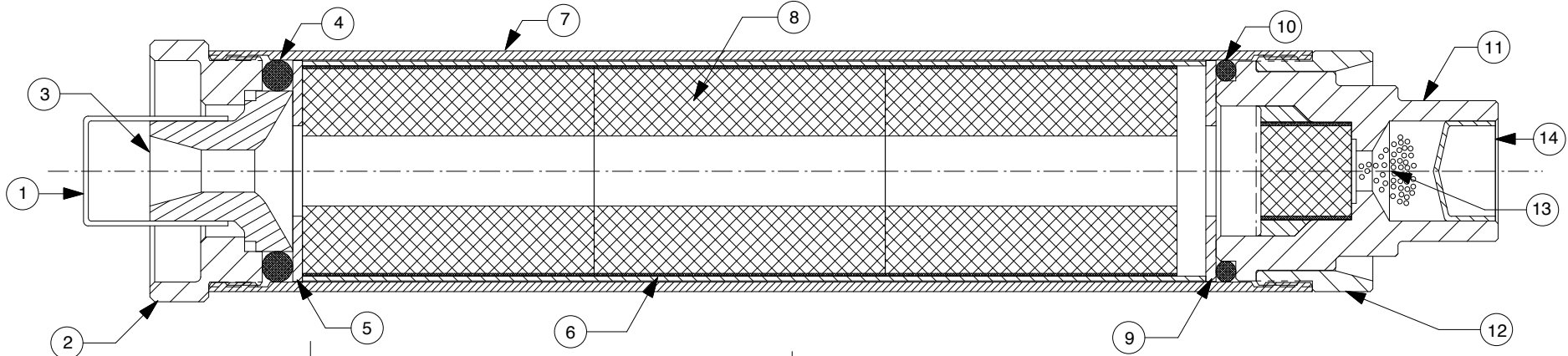
1

### REVISIONS

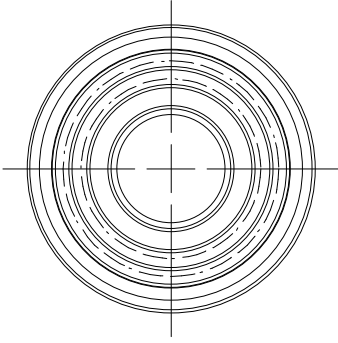
EFFECTIVITY	REV	DESCRIPTION	DATE	APPROVED
FUTURE	A	FIRST RELEASE ISSUE	8 / 19 / 13	

### NOTES:

- MOTOR ASSEMBLY SHOWN WITH SPECIFIED MOTOR HARDWARE & RELOAD KIT.



VIEW AFT END



VIEW FORWARD END

QTY	PART NUMBER	DESCRIPTION	ITEM
1	0406-5	EJECTION CAPPLUG	14
1	05708	EJECTION CHARGE ASSY	13
1	38FCRR	38MM FWD CLOSURE RETAINING RING	12
1	38EZBAT	RMS-EZ FWD BULKHEAD ASSY- BT	11
1	00216	FORWARD O-RING (1 3/8" O.D. X 1/8") 216	10
1	05404	FWD INSULATOR(1.375"O.D.X.562" I.D.X1/16")	9
3	03581-2	PROPELLANT (1.308" O.D. X 1.815") 8121TC	8
1	3836C	CASE	7
1	02060	LINER (1.372" O.D. X 5.625")	6
1	05404	AFT INSULATOR(1.375"O.D.X.562" I.D.X1/16")	5
1	00318	AFT O-RING (1.375" O.D. X 3/16") 318	4
1	01500-6	NOZZLE (F60/G80) DRILLED .266"	3
1	38AC2	AFT CLOSURE L2	2
1	04580	NOZZLE CAP (5/8" I.D.)	1

### SUPPLIER DATA

AEROTECH DIV RCS RMC, INC.

093514

### RELOAD KIT IDENTIFICATION

I357T-14A RMS-EZ

UNLESS OTHERWISE SPECIFIED DIMENSIONS ARE IN INCHES

.XX	.XXX	ANGLES
+/- .010	+/- .005	+/- 2 deg.

MATERIAL

NOTED

FINISH

CONTRACT NUMBER

PREP G. ROSENFELD 8 / 13

CHKR

APVD

APVD

**RCS** ROCKET MOTOR COMPONENTS...  
 2113 W. 650 N. Street  
 Cedar City, Utah 84721  
 (435) 865-7100 (Ph)  
 (435) 865-7120 (Fax)

**HP 38/360 MOTOR WITH I357T-14A RMS-EZ™ RELOAD KIT**

SIZE **A** NUMBER **ASSY DWG**

SCALE 1 / 1

SHEET 1 OF 1

PART NUMBER

DESCRIPTION

8

7

6

5

4

3

2

1