

8

7

6

5

4

3

2

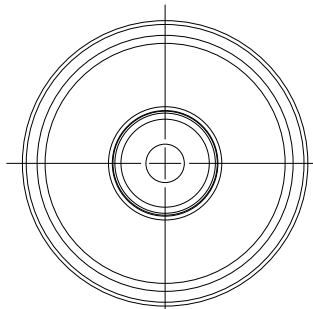
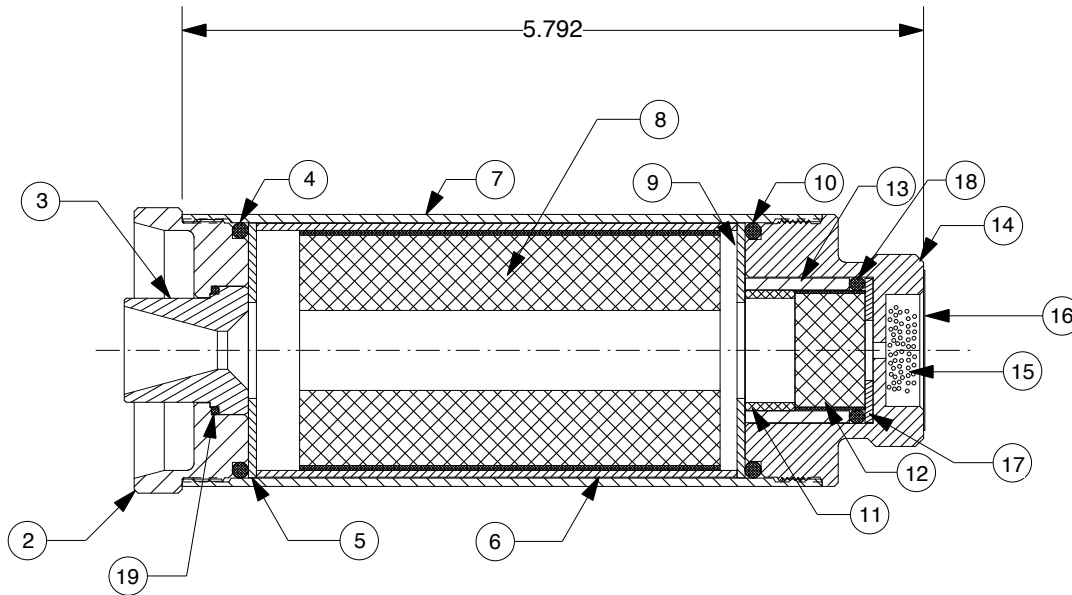
1

REVISIONS

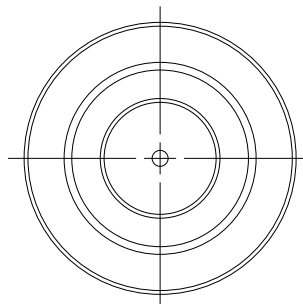
EFFECTIVITY	REV	DESCRIPTION	DATE	APPROVED
FUTURE	A	FIRST RELEASE ISSUE	7 / 2 / 07	
FUTURE	B	REDESIGNED WITH NEW AFT CLOSURE, NOZZLE, AFT INSULATOR & LINER	12 / 9 / 09	

NOTES:

1. MOTOR ASSEMBLY SHOWN WITH SPECIFIED MOTOR HARDWARE & RELOAD KIT.



VIEW AFT CLOSURE



VIEW FORWARD CLOSURE

1	00020	NOZZLE O-RING (1" O.D. X 1/16") 020	19
1	00002	DELAY O-RING (1.17" O.D. X .123")	18
1	03355	FWD DELAY SPACER (1-1/8" O.D. X .062")	17
1	05604	EJECTION CHARGE CAP (1-1/4")	16
1	03700	EJECTION CHARGE (USER SUPPLIED)	15
1	54FCC	FORWARD CLOSURE (REGULAR)	14
1	03356	DELAY INSULATOR (1.13" O.D. X .815")	13
1	03904	DELAY GRAIN (.933" O.D. X .547")	12
1	03954	AFT DELAY SPACER (.94" O.D. X .391")	11
1	00224	FORWARD O-RING (2" O.D. X 1/8") 224	10
1	05406	FORWARD INSULATOR (1.99" O.D. X 1/16")	9
1	03601-2	PROPELLANT GRAIN (1.870" O.D. X 3.285")	8
1	5442C	54/426 CASE	7
1	02070-1	PAPER LINER (1.99" O.D. X 3.755")	6
1	05406	AFT INSULATOR (1.99" O.D. X 1/16")	5
1	00224	AFT O-RING (2" O.D. X 1/8") 224	4
1	01550-4	NOZZLE (NEW L2) DRILLED .298"	3
1	54ACCSN	54MM AFT CLOSURE SMALL NOZZLE	2

QTY	PART NUMBER	DESCRIPTION	ITEM
-----	-------------	-------------	------

LIST OF MATERIAL

CONTRACT NUMBER		 2113 W. 850 N. Street Cedar City, Utah 84720 (435) 865-7100 (Ph) (435) 865-7120 (Fax)
PREP	G. ROSENFIELD	
CHKR		7 / 07
MATERIAL		HP 54/426 MOTOR WITH I229T-M RMS-PLUS™ RELOAD KIT
NOTED		
FINISH		
APVD		SIZE
APVD		NUMBER
		A
		ASSY DWG
SCALE		1 / 1.5
		SHEET 1 OF 1

SUPPLIER DATA

AEROTECH/RCS RMC INC.

RELOAD KIT IDENTIFICATION

09229M

I229T-M

UNLESS OTHERWISE SPECIFIED DIMENSIONS ARE IN INCHES

.XX	.XXX	ANGLES
+/- .010	+/- .005	+/- 2 deg.

MATERIAL

NOTED

FINISH

PART NUMBER

DESCRIPTION

8

7

6

5

4

3

2

1