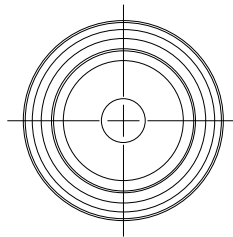
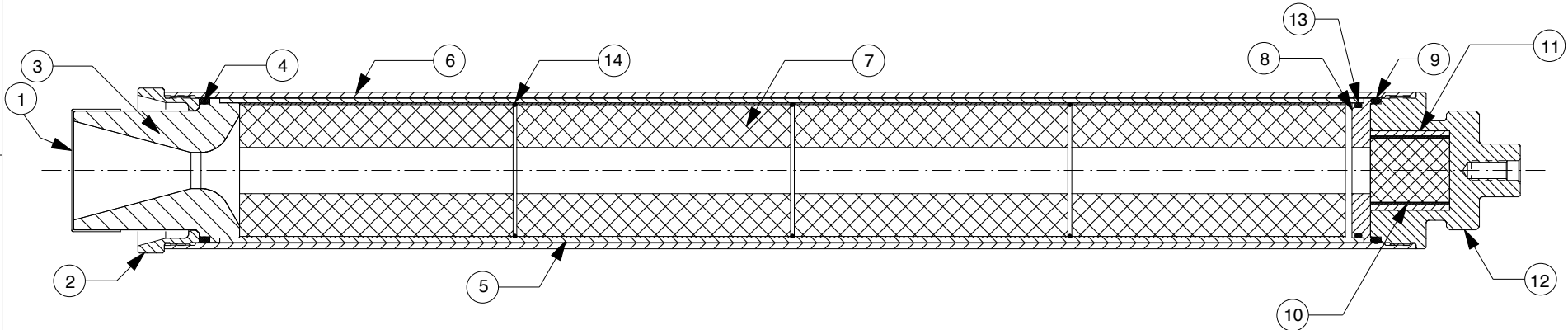


**NOTES:**

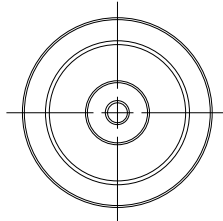
1. MOTOR ASSEMBLY SHOWN WITH SPECIFIED MOTOR HARDWARE & RELOAD KIT.

**REVISIONS**

EFFECTIVITY	REV	DESCRIPTION	DATE	APPROVED
FUTURE	A	FIRST RELEASE ISSUE (REDLINE PROPELLANT)	6 / 04 / 02	
FUTURE	B	PER EO "B", NEW HP NOZZLE	11 / 08 / 04	
FUTURE	C	PER EO "D", ADDED FORWARD SEAL DISK AND SEAL DISK O-RING. REMOVED FWD INSULATOR, SHORTER PROPELLANT GRAINS	6 / 6 / 08	
FUTURE	D	ADDED GRAIN SPACER O-RINGS	12 / 30 / 09	




VIEW AFT CLOSURE



VIEW FORWARD CLOSURE

3	00036	GRAIN SPACER O-RINGS (2-1/2" X 1/16")	036	14
1	00142	FORWARD SEAL DISK O-RING		13
1	75FCP	FORWARD CLOSURE (PLUGGED)		12
1	03080	SMOKE CHG INSULATOR (1.5" O.D. X 1.5")		11
1	03287	SMOKE CHARGE (1.305" O.D. X 1.5")		10
1	00230	FORWARD O-RING (2.75" O.D. X 1/8")	230	9
1	05408	FORWARD INSULATOR (2.730" O.D. X .125")		8
4	03616-1	PROPELLANT GRAINS (2.557" O.D. X 5.188")		7
1	7551C	CASE		6
1	03035-4	PHENOLIC LINER (2.727" O.D. X 21.688")		5
1	00230	AFT O-RING (2.75" O.D. X 1/8")	230	4
1	01770	HP 75MM NOZZLE (.685" DT UNDRILLED)		3
1	75ACC	AFT CLOSURE		2
1	04214	NOZZLE CAP (2.25" I.D.)		1

QTY	PART NUMBER	DESCRIPTION	ITEM
LIST OF MATERIAL			
CONTRACT NUMBER		 2113 W. 850 N. Street Cedar City, Utah 84720 (435) 865-7100 (Ph) (435) 865-7120 (Fax)	
PREP	B. ROSENFELD		
CHKR			<b>HP 75/5120 MOTOR WITH L1420R-P RELOAD KIT</b>
APVD		SIZE <b>A</b> NUMBER	<b>ASSY DWG</b>
APVD		SCALE 1 / 3	SHEET 1 OF 1

SUPPLIER DATA		RELOAD KIT IDENTIFICATION		UNLESS OTHERWISE SPECIFIED DIMENSIONS ARE IN INCHES		
AEROTECH DIV RCS RMC INC.	12142P	L1420R-P		.XX +/- .010	.XXX +/- .005	ANGLES +/- 2 deg.
				MATERIAL		
				NOTED		
				FINISH		
	<b>PART NUMBER</b>	<b>DESCRIPTION</b>				

8

7

6

5

4

3

2

1