

8

7

6

5

4

3

2

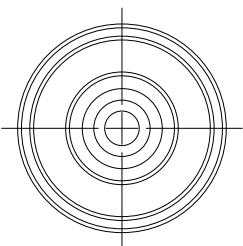
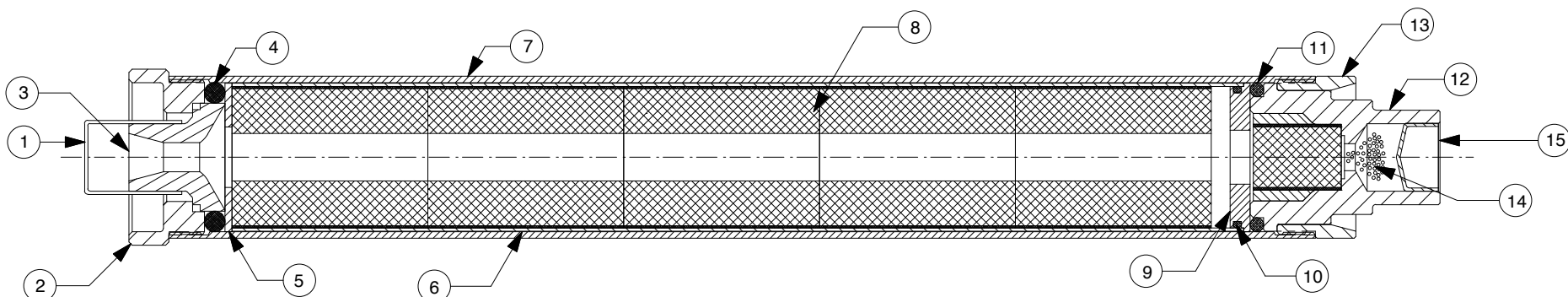
1

REVISIONS

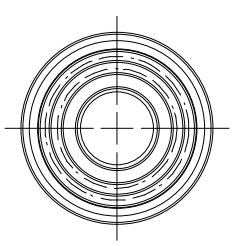
EFFECTIVITY	REV	DESCRIPTION	DATE	APPROVED
FUTURE	A	FIRST RELEASE ISSUE	8 / 22 / 14	

NOTES:

1. MOTOR ASSEMBLY SHOWN WITH SPECIFIED MOTOR HARDWARE & RELOAD KIT.



VIEW AFT CLOSURE



VIEW FORWARD CLOSURE

QTY	PART NUMBER	DESCRIPTION	ITEM
1	0406-5	EJECTION CAPLUG	15
1	05708	EJECTION CHARGE ASSY	14
1	38FCRR	38MM FWD CLOSURE RETAINING RING	13
1	38EZBAW	RMS-EZ FWD BULKHEAD ASSY- WL	12
1	00216	FORWARD O-RING (1 3/8" O.D. X 1/8") 216	11
1	00025	SEAL DISC O-RING (1.313" X 1/16") 025	10
1	38601	FWD SEAL DISC (1.375"O.D.X.5" I.D.X.188")	9
5	03581	PROPELLANT (1.308" O.D. X 1.815") 8225W	8
1	3860C	CASE	7
1	02065-5	PHENOLIC LINER (1.368" O.D. X 9.375")	6
1	05404	AFT INSULATOR(1.375"O.D.X.562" I.D.X1/16")	5
1	00318	AFT O-RING (1.375" O.D. X 3/16") 318	4
1	01500-6	NOZZLE (F60/G80) DRILLED .266"	3
1	38AC2	AFT CLOSURE L2	2
1	04580	NOZZLE CAP (5/8" I.D)	1

SUPPLIER DATA		RELOAD KIT IDENTIFICATION	
AEROTECH DIV RCS RMC, INC.	092814	I284W-14A RMS-EZ	
UNLESS OTHERWISE SPECIFIED DIMENSIONS ARE IN INCHES			
.XX +/- .010		.XXX +/- .005	
ANGLES +/- 2 deg.			
MATERIAL			
NOTED			
FINISH			
PART NUMBER		DESCRIPTION	

LIST OF MATERIAL

CONTRACT NUMBER

PREP G. ROSENFELD 8 / 14

CHKR

APVD

APVD

SCALE 1 / 1.5

SHEET 1 OF 1

2113 W. 650 N. Street
Cedar City, Utah 84721
(435) 865-7100 (Ph)
(435) 865-7120 (Fax)

RCS ROCKET MOTOR COMPONENTS...

HP 38/600 MOTOR WITH I284W-14A RMS-EZ™ RELOAD KIT

SIZE **A** NUMBER

ASSY DWG

8

7

6

5

4

3

2

1