

8

7

6

5

4

3

2

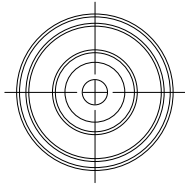
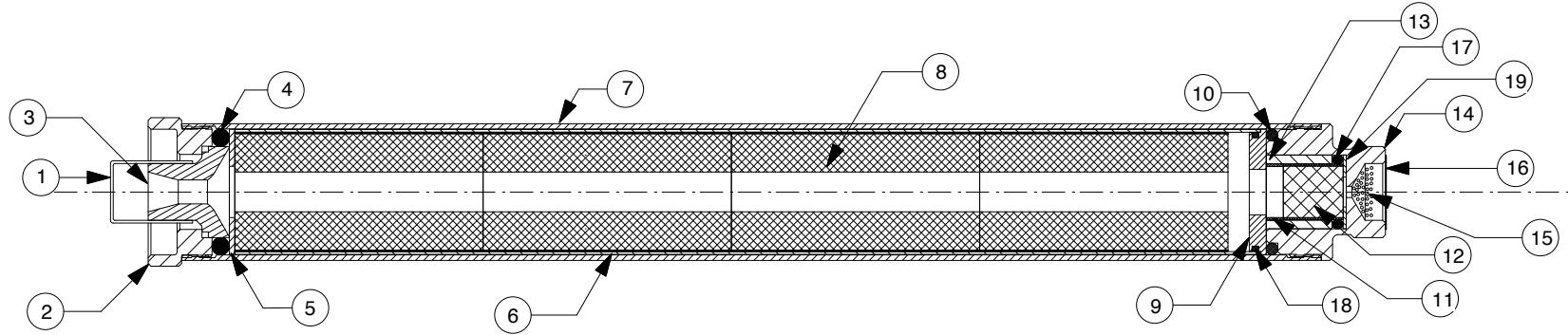
1

REVISIONS

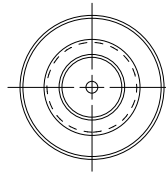
EFFECTIVITY	REV	DESCRIPTION	DATE	APPROVED
FUTURE	A	FIRST RELEASE ISSUE	11 / 30 / 11	

NOTES:

1. MOTOR ASSEMBLY SHOWN WITH SPECIFIED MOTOR HARDWARE & RELOAD KIT.



VIEW AFT CLOSURE



VIEW FORWARD CLOSURE

QTY	PART NUMBER	DESCRIPTION	ITEM
1	03350	FWD DELAY SPACER (13/16" O.D. X .031")	19
1	00025	SEAL DISC O-RING (1.313" X 1/16") 025	18
1	00001	DELAY O-RING (15MM I.D. X 3MM THICK)	17
1	05602	EJECTION CHARGE CAP	16
1	03700	EJECTION CHARGE	15
1	38FCC	FORWARD CLOSURE	14
1	03302	DELAY INSULATOR (.807" O.D. X .719")	13
1	03375	DELAY GRAIN (.61" O.D. X .656")	12
1	03314	AFT DELAY SPACER (.615" O.D. X .188")	11
1	00216	FORWARD O-RING (1 3/8" O.D. X 1/8") 216	10
1	38601	FWD SEAL DISC (1.375"O.D.X.5" I.D.X.188")	9
4	03DM38-1	GRAINS (1.308" O.D. X 2.723" X .438" CORE)	8
1	3872C	CASE	7
1	02065-6	PHENOLIC LINER (1.368" O.D. X 11.250")	6
1	05404	AFT INSULATOR(1.375"O.D.X.562" I.D.X1/16")	5
1	00318	AFT O-RING (1.375" O.D. X 3/16") 318	4
1	01500-8	NOZZLE (F60/G80) DRILLED .261"	3
1	38AC2	AFT CLOSURE L2	2
1	04580	NOZZLE CAP (5/8" I.D.)	1

LIST OF MATERIAL

CONTRACT NUMBER

PREP G. ROSENFELD 11 / 11

CHKR

APVD

APVD

SCALE 1/2

SHEET 1 OF 1

2113 W. 850 N. Street
Cedar City, Utah 84721
(435) 865-7100 (Ph)
(435) 865-7120 (Fax)

RCS ROCKET MOTOR COMPONENTS...

HP 38/720 MOTOR WITH I327DM-14A RELOAD KIT

SIZE **A** NUMBER

ASSY DWG

SUPPLIER DATA

AEROTECH DIV. RCS RMC, INC.

RELOAD KIT IDENTIFICATION

09327L

I327DM-14A

UNLESS OTHERWISE SPECIFIED DIMENSIONS ARE IN INCHES

.XX +/- .010	.XXX +/- .005	ANGLES +/- 2 deg.
-----------------	------------------	----------------------

MATERIAL

NOTED

FINISH

PART NUMBER

DESCRIPTION

8

7

6

5

4

3

2

1