

8

7

6

5

4

3

2

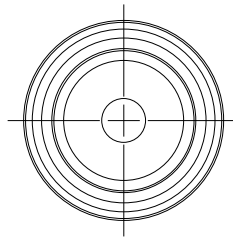
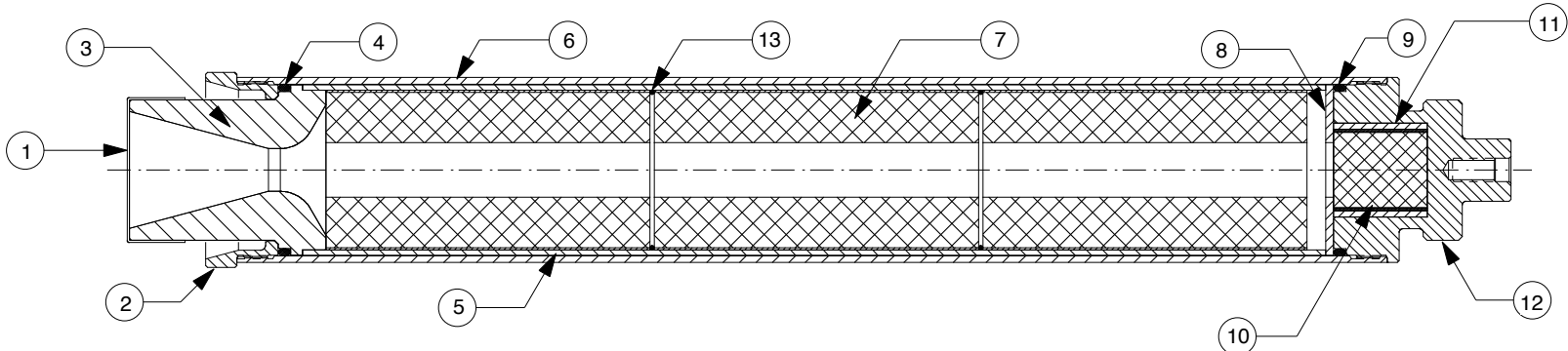
1

### REVISIONS

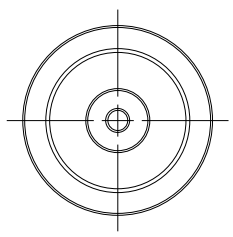
EFFECTIVITY	REV	DESCRIPTION	DATE	APPROVED
FUTURE	A	FIRST RELEASE ISSUE	11 / 22 / 08	
FUTURE	B	ADDED GRAIN SPACER O-RINGS	12 / 3 / 09	

#### NOTES:

- MOTOR ASSEMBLY SHOWN WITH SPECIFIED MOTOR HARDWARE & RELOAD KIT.




VIEW AFT CLOSURE



VIEW FORWARD CLOSURE

2	00036	GRAIN SPACER O-RINGS (2-1/2" X 1/16") 036	13
1	75FCP	FORWARD CLOSURE (PLUGGED)	12
1	03080	SMOKE CHG INSULATOR (1.5" O.D. X 1.5")	11
1	03287	SMOKE CHARGE(1.305" O.D. X 1.5")	10
1	00230	FORWARD O-RING (2.75" O.D. X 1/8") 230	9
1	05408	FORWARD INSULATOR (2.730" O.D. X .125")	8
3	03G045	PROP GRAINS (2.557" O.D. X 5.188" X .875" CORE)	7
1	7538C	CASE	6
1	03035-3	PHENOLIC LINER (2.727" O.D. X 16.375")	5
1	00230	AFT O-RING (2.75" O.D. X 1/8") 230	4
1	01770	HP 75MM NOZZLE (.685" DT UNDRILLED)	3
1	75ACC	AFT CLOSURE	2
1	04214	NOZZLE CAP (2.25" I.D.)	1

QTY	PART NUMBER	DESCRIPTION	ITEM
LIST OF MATERIAL			
CONTRACT NUMBER		 2113 W. 850 N. Street Cedar City, Utah 84720 (435) 865-7100 (Ph) (435) 865-7120 (Fax)	
PREP	G. ROSENFELD		
CHKR			
APVD		SIZE	NUMBER
APVD		A	ASSY DWG
SCALE 1 / 3		SHEET 1 OF 1	

#### SUPPLIER DATA

AEROTECH DIV. RCS RMC INC.

#### RELOAD KIT IDENTIFICATION

12139P

L1390G-P

UNLESS OTHERWISE SPECIFIED DIMENSIONS ARE IN INCHES

.XX +/- .010	.XXX +/- .005	ANGLES +/- 2 deg.
-----------------	------------------	----------------------

MATERIAL

NOTED

FINISH

PART NUMBER

DESCRIPTION

8

7

6

5

4

3

2

1