

8

7

6

5

4

3

2

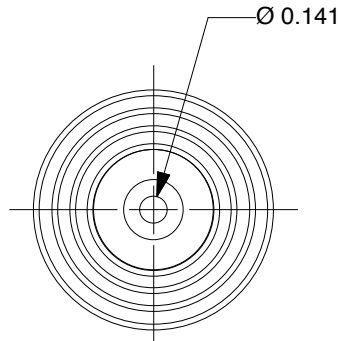
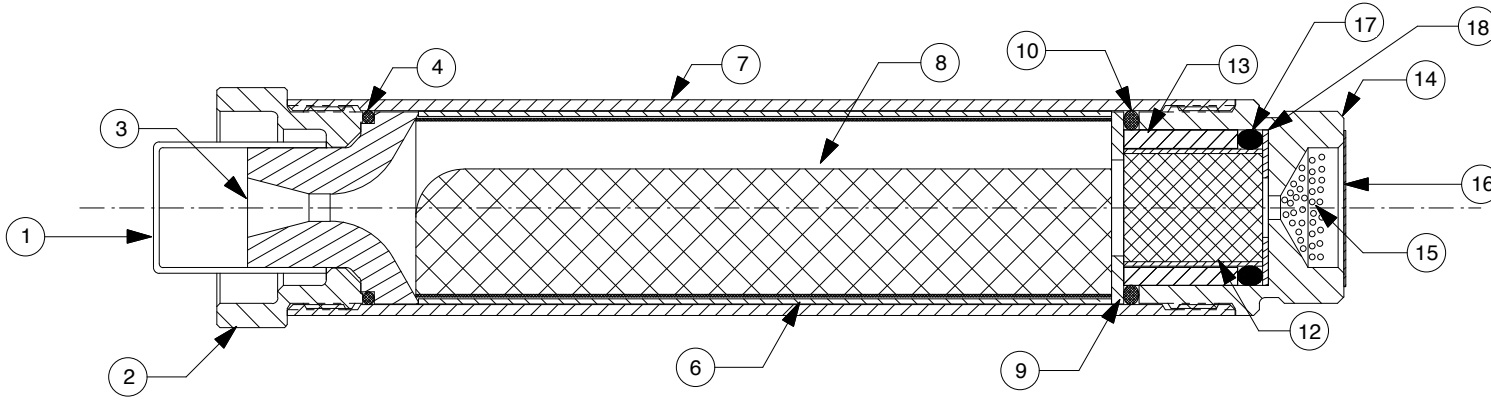
1

### REVISIONS

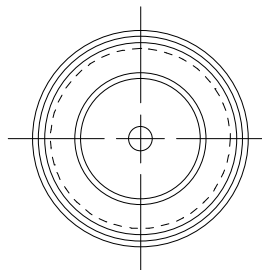
EFFECTIVITY	REV	DESCRIPTION	DATE	APPROVED
FUTURE	A	FIRST RELEASE ISSUE	8 / 22 / 13	

#### NOTES:

- MOTOR ASSEMBLY SHOWN WITH SPECIFIED MOTOR HARDWARE & RELOAD KIT.



VIEW AFT CLOSURE



VIEW FORWARD CLOSURE

1	03350	FWD DELAY SPACER (13/16" O.D. X .031")	18
1	00001	DELAY O-RING (15MM I.D. X 3MM THICK)	17
1	05602	EJECTION CHARGE CAP (13/16")	16
1	03700	EJECTION CHARGE (FILLS WELL 3/4 FULL)	15
1	29FCC	FORWARD CLOSURE	14
1	03300	DELAY INSULATOR (.807" O.D. X .594")	13
1	03378-S	DELAY GRAIN (.610" O.D. X .719") SLOW	12
			11
1	00117	FORWARD O-RING (1" O.D. X 3/32")	10
1	05402	FORWARD INSULATOR(1"O.D.X.5" I.D.X1/16")	9
1	03W29-2	PROP GRAIN (.933" O.D. X 3.624") 8225W	8
1	2912C	CASE	7
1	02045-6	PHENOLIC LINER (.997" O.D. X 3.610")	6
			5
1	00020	AFT O-RING (1" O.D. X 1/16") 020	4
1	01450	NOZZLE (G45/F60) UNDRILLED .141"	3
1	29ACC	AFT CLOSURE	2
1	04580	NOZZLE CAP (5/8" I.D.)	1

QTY	PART NUMBER	DESCRIPTION	ITEM
LIST OF MATERIAL			
CONTRACT NUMBER		2113 W. 850 N. Street Cedar City, Utah 84721 (435) 867-9998 (Ph) (435) 222-0203 (Fax)	
PREP	G. ROSENFELD		
CHKR			
APVD		SIZE	NUMBER
APVD		<b>A</b>	<b>ASSY DWG</b>
SCALE 1 / 1		SHEET 1 OF 1	

#### SUPPLIER DATA

AEROTECH DIV RCS RMC INC.

#### RELOAD KIT IDENTIFICATION

07025M

G25W-M RMS-PLUS

UNLESS OTHERWISE SPECIFIED DIMENSIONS ARE IN INCHES

.XX	.XXX	ANGLES
+/- .010	+/- .005	+/- 2 deg.

MATERIAL

NOTED

FINISH

PART NUMBER

DESCRIPTION

8

7

6

5

4

3

2

1