

8

7

6

5

4

3

2

1

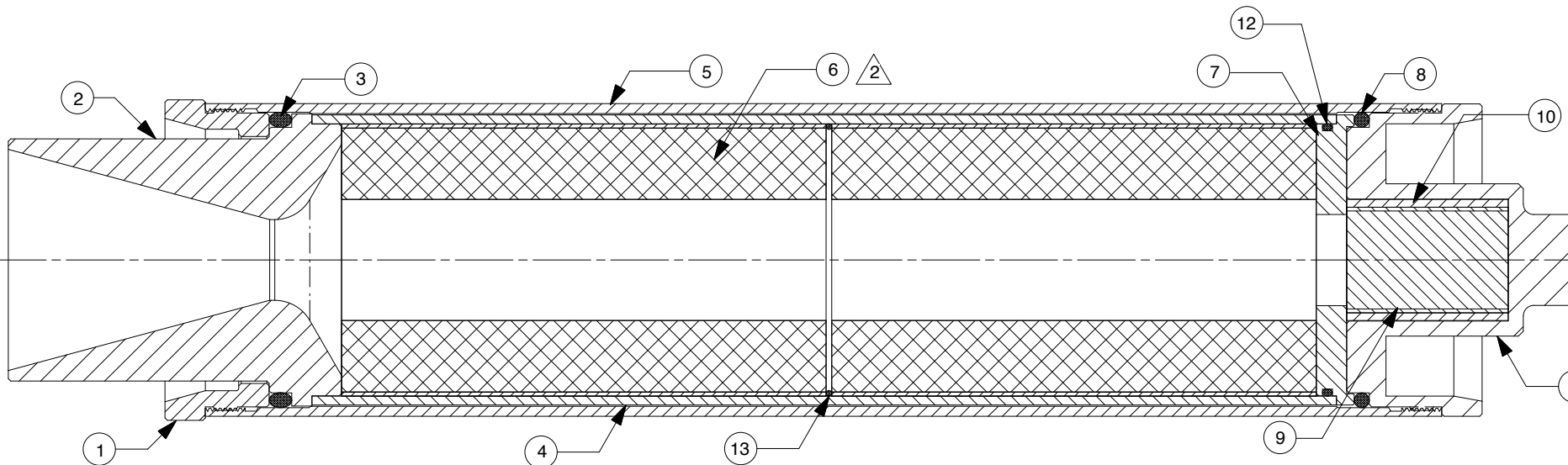
REVISIONS

| EFFECTIVITY | REV | DESCRIPTION | DATE | APPROVED |
|-------------|-----|---------------------|---------|----------|
| FUTURE | A | FIRST RELEASE ISSUE | 7/14/16 | |

NOTES:

1. MOTOR ASSEMBLY SHOWN WITH SPECIFIED MOTOR HARDWARE & RELOAD KIT.

2. GRAINS BONDED TO PHENOLIC LINER WITH ELMERS GLUE-ALL MAX, GORILLA OR SIMILAR GLUE PER RELOAD KIT INSTRUCTION SHEET.



| QTY | PART NUMBER | DESCRIPTION | ITEM |
|-----|-------------|--|------|
| 1 | 00042 | GRAIN SPACER O-RING (3-3/8" O.D. X 1/16") 042 | 13 |
| 1 | 00151 | FWD SEAL DISK O-RING (3-3/8" O.D. X 3/32") BUNA-N 90 SHORE | 12 |
| 1 | 98FCP | FORWARD CLOSURE (PLUGGED) | 11 |
| 1 | 03081 | SMOKE CHG INSULATOR (1.5" O.D. X 2.0") | 10 |
| 1 | 03288 | SMOKE CHRG INSULATOR (1.5" O.D. X 2.0") | 9 |
| 1 | 00339 | FORWARD O-RING (3.625" O.D. X 3/16") 339 | 8 |
| 1 | 98FSDSS | FORWARD SEAL DISK, STAINLESS STEEL | 7 |
| 2 | 03ST98-3 | PROP. GRAINS (3.37" O.D. X 6.00" X 1.50" CORE) DDI | 6 |
| 1 | 9851C | CASE | 5 |
| 1 | 03040-2 | PHENOLIC LINER (3.592" O.D. X 12.688") | 4 |
| 1 | 00339 | AFT O-RING (3.625" O.D. X 3/16") 339 | 3 |
| 1 | 01880 | NOZZLE (98MM ENLARGED) 1.00" THROAT | 2 |
| 1 | 98AC2 | AFT CLOSURE ENLARGED | 1 |

SUPPLIER DATA

AEROTECH DIV. RCS RMC INC.

RELOAD KIT IDENTIFICATION

12250P

L2500-PS

UNLESS OTHERWISE SPECIFIED DIMENSIONS ARE IN INCHES

.XX
+/- .010

.XXX
+/- .005

ANGLES
+/- 2 deg.

MATERIAL

NOTED

FINISH

PART NUMBER

DESCRIPTION

| LIST OF MATERIAL | | | |
|------------------|--------------|--|---|
| CONTRACT NUMBER | | 2113 W. 850 N. Street Cedar City, Utah 84721 (435) 865-7100 (Ph) (435) 865-7120 (Fax) | |
| PREP | G. ROSENFELD | 7/16 | HP 98/5120 MOTOR WITH L2500ST-PS RELOAD KIT ASSY DWG |
| CHKR | | SIZE A | |
| APVD | | NUMBER | |
| SCALE 1/2 | | SHEET 1 OF 1 | |

8

7

6

5

4

3

2

1