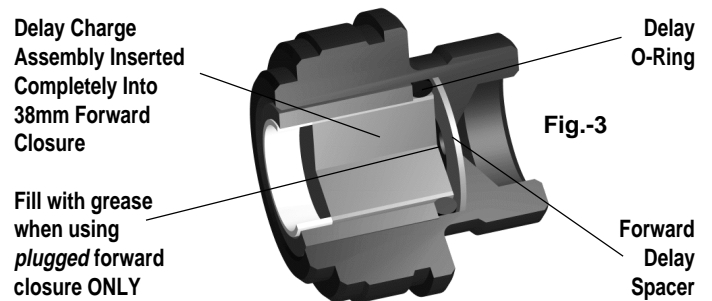
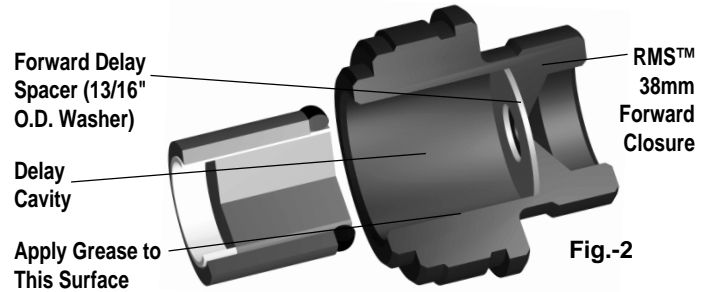
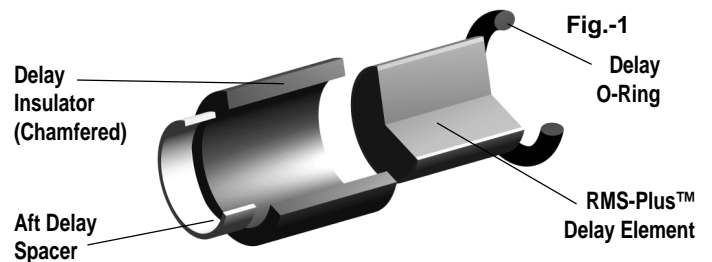


38MM RMS-PLUS™ RELOAD DELAY KIT (RDK) ASSEMBLY INSTRUCTIONS

NOTE: Follow these instructions during forward closure/delay charge assembly of an AeroTech RMS™ 38mm high-power motor when using the enclosed RMS-Plus™ RDK. **DO NOT use any of the delay components of older-style RMS reload kits when using this RDK!**

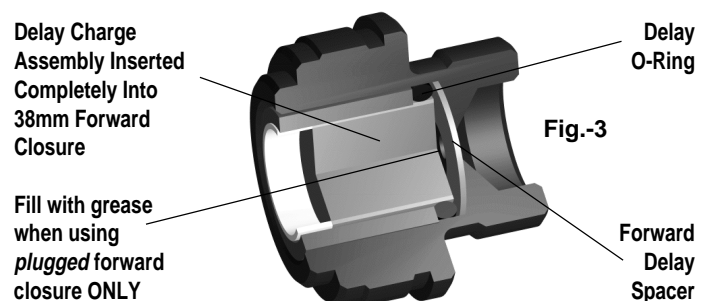
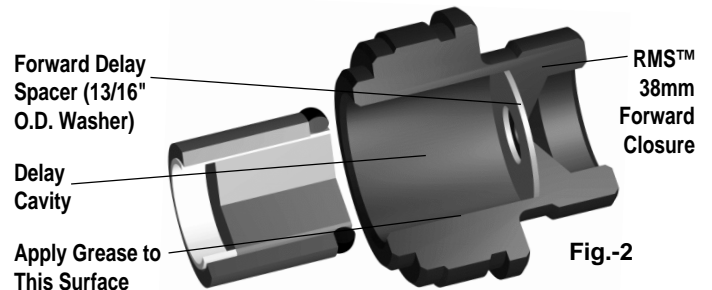
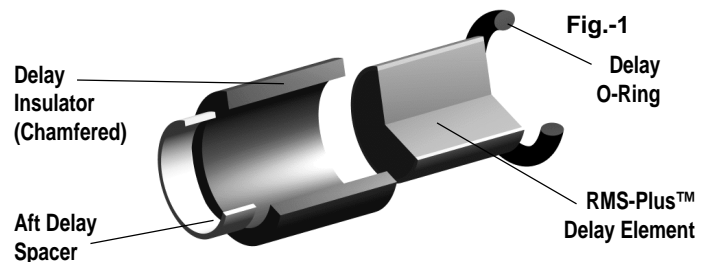
- 1-1. Apply a light coat of Permatex™ Super Lube™ or other grease to all threads and o-rings. This will facilitate assembly and prevents the threads from seizing.
- 1-2. **Fig.-1:** Chamfer both inner edges of the delay insulator with your fingernail. Assemble the RMS-Plus™ delay element, delay insulator, aft delay spacer and delay o-ring as shown. **NOTE:** It is **not** necessary to tape the delay element or delay insulator, the hot gas seal is provided by the delay o-ring alone.
- 1-3. **Fig.-2:** Insert the forward delay spacer (13/16" O.D. neoprene washer) into the delay cavity until it is seated against the forward end of the cavity. Apply a **light film** of grease to the inner circumference of the delay cavity (but **not** the forward end of the cavity).
- 1-4. **Fig.-3:** Insert the delay charge assembly shown in Fig.-1 into the delay cavity, o-ring end first, until it is seated against the forward delay spacer. **NOTE:** When using a **plugged** forward closure **ONLY**, fill the opening in the forward delay spacer with grease prior to installing the delay charge assembly.
- 1-5. Complete the remainder of motor assembly according to the original instructions that accompanied your particular reload kit.



38MM RMS-PLUS™ RELOAD DELAY KIT (RDK) ASSEMBLY INSTRUCTIONS

NOTE: Follow these instructions during forward closure/delay charge assembly of an AeroTech RMS™ 38mm high-power motor when using the enclosed RMS-Plus™ RDK. **DO NOT use any of the delay components of older-style RMS reload kits when using this RDK!**

- 1-1. Apply a light coat of Permatex™ Super Lube™ or other grease to all threads and o-rings. This will facilitate assembly and prevents the threads from seizing.
- 1-2. **Fig.-1:** Chamfer both inner edges of the delay insulator with your fingernail. Assemble the RMS-Plus™ delay element, delay insulator, aft delay spacer and delay o-ring as shown. **NOTE:** It is **not** necessary to tape the delay element or delay insulator, the hot gas seal is provided by the delay o-ring alone.
- 1-3. **Fig.-2:** Insert the forward delay spacer (13/16" O.D. neoprene washer) into the delay cavity until it is seated against the forward end of the cavity. Apply a **light film** of grease to the inner circumference of the delay cavity (but **not** the forward end of the cavity).
- 1-4. **Fig.-3:** Insert the delay charge assembly shown in Fig.-1 into the delay cavity, o-ring end first, until it is seated against the forward delay spacer. **NOTE:** When using a **plugged** forward closure **ONLY**, fill the opening in the forward delay spacer with grease prior to installing the delay charge assembly.
- 1-5. Complete the remainder of motor assembly according to the original instructions that accompanied your particular reload kit.



First Aid

For a minor burn, apply a burn ointment. For a severe burn, immerse the burned area in ice water at once and see a physician as quickly as possible. In the unlikely event of oral ingestion of the propellant, induce vomiting and see a physician as quickly as possible. The AeroTech/RCS reload delay kit pyrotechnic components consists primarily of ammonium perchlorate and a rubber-like plastic elastomer.

Disposal

Damaged or defective reload delay kits should be returned to RCS.

Fire Safety

Tests show that the pyrotechnic components of RMST™ reload delay kits will not explode in fires and normally will not ignite unless subjected to direct flame and then will burn slowly. Use water to fight any fires in which AeroTech/RCS RMST™ reload delay kit pyrotechnic components may become involved: Direct the water at the AeroTech/RCS RMST™ reload delay kit pyrotechnic components to keep them below their 550 deg. F autoignition temperature. Foam and carbon dioxide fire extinguishers will NOT extinguish burning propellants of the type used in RMST™ reload delay kit pyrotechnic components. Keep reload delay kit pyrotechnic components away from flames, sources of heat and flammable materials.

Disclaimer and Warranty

NOTICE: Since we cannot control the storage and use of our products, once sold we cannot assume any responsibility for product storage, transportation or usage. RCS shall not be held responsible for any personal injury or property damage resulting from the handling, storage or use of our product. The buyer assumes all risks and liabilities therefrom and accepts and uses AeroTech/RCS products on these conditions. No warranty either expressed or implied is made regarding AeroTech products, except for replacement or repair, at RCS's option, of those products which are proven to be defective in manufacture within one year from the date of original purchase. For repair or replacement under this warranty, please contact RCS. Proof of purchase will be required. Note: Your state may provide additional rights not covered by this warranty.

AeroTech Division
RCS Rocket Motor Components, Inc.
Cedar City, UT 84720
www.aerotech-rocketry.com

P/N 19959 Rev. 6/25/04
Made in U.S.A.
©2004 RCS Rocket Motor Components, Inc.
All rights reserved



Advanced
Delay
Sealing
System

38MM HIGH-POWER RMS-PLUS™ RELOAD DELAY KIT (RDK)

AeroTech Product No: RDK-09PLUS

For Use With The Following RMS™ Reload Kits ONLY:

**H148R-S, H242T-S, I218R-S, I357T-S, I285R-S,
I300T-S, I366R-S, I435T-S, J420R-S**

This RDK Contains The Following Parts:

Part No.	Description	Qty.
03360	RMS-Plus™ delay element (.406" long grey solid part)	3
03332	Aft delay spacer (.438" long silver paper ring)	3

NOTE: The delay o-ring, delay insulator and forward delay spacer mentioned in the RDK instructions now come supplied with all RMS™ reload part kits.

NOTE: SALE TO PERSONS UNDER 18 YEARS OF AGE PROHIBITED BY FEDERAL LAW. WARNING-FLAMMABLE: Read Instructions Before Use. KEEP OUT OF REACH OF CHILDREN. FOR USE ONLY BY CERTIFIED HIGH-POWER USERS 18 YEARS OF AGE OR OLDER. DO NOT SMOKE when loading these motors or use in the vicinity of open flames.

First Aid

For a minor burn, apply a burn ointment. For a severe burn, immerse the burned area in ice water at once and see a physician as quickly as possible. In the unlikely event of oral ingestion of the propellant, induce vomiting and see a physician as quickly as possible. The AeroTech/RCS reload delay kit pyrotechnic components consists primarily of ammonium perchlorate and a rubber-like plastic elastomer.

Disposal

Damaged or defective reload delay kits should be returned to RCS.

Fire Safety

Tests show that the pyrotechnic components of RMST™ reload delay kits will not explode in fires and normally will not ignite unless subjected to direct flame and then will burn slowly. Use water to fight any fires in which AeroTech/RCS RMST™ reload delay kit pyrotechnic components may become involved: Direct the water at the AeroTech/RCS RMST™ reload delay kit pyrotechnic components to keep them below their 550 deg. F autoignition temperature. Foam and carbon dioxide fire extinguishers will NOT extinguish burning propellants of the type used in RMST™ reload delay kit pyrotechnic components. Keep reload delay kit pyrotechnic components away from flames, sources of heat and flammable materials.

Disclaimer and Warranty

NOTICE: Since we cannot control the storage and use of our products, once sold we cannot assume any responsibility for product storage, transportation or usage. RCS shall not be held responsible for any personal injury or property damage resulting from the handling, storage or use of our product. The buyer assumes all risks and liabilities therefrom and accepts and uses AeroTech/RCS products on these conditions. No warranty either expressed or implied is made regarding AeroTech products, except for replacement or repair, at RCS's option, of those products which are proven to be defective in manufacture within one year from the date of original purchase. For repair or replacement under this warranty, please contact RCS. Proof of purchase will be required. Note: Your state may provide additional rights not covered by this warranty.

AeroTech Division
RCS Rocket Motor Components, Inc.
Cedar City, UT 84720
www.aerotech-rocketry.com

P/N 19959 Rev. 6/25/04
Made in U.S.A.
©2004 RCS Rocket Motor Components, Inc.
All rights reserved



Advanced
Delay
Sealing
System

38MM HIGH-POWER RMS-PLUS™ RELOAD DELAY KIT (RDK)

AeroTech Product No: RDK-09PLUS

For Use With The Following RMS™ Reload Kits ONLY:

**H148R-S, H242T-S, I218R-S, I357T-S, I285R-S,
I300T-S, I366R-S, I435T-S, J420R-S**

This RDK Contains The Following Parts:

Part No.	Description	Qty.
03360	RMS-Plus™ delay element (.406" long grey solid part)	3
03332	Aft delay spacer (.438" long silver paper ring)	3

NOTE: The delay o-ring, delay insulator and forward delay spacer mentioned in the RDK instructions now come supplied with all RMS™ reload part kits.

NOTE: SALE TO PERSONS UNDER 18 YEARS OF AGE PROHIBITED BY FEDERAL LAW. WARNING-FLAMMABLE: Read Instructions Before Use. KEEP OUT OF REACH OF CHILDREN. FOR USE ONLY BY CERTIFIED HIGH-POWER USERS 18 YEARS OF AGE OR OLDER. DO NOT SMOKE when loading these motors or use in the vicinity of open flames.

First Aid

For a minor burn, apply a burn ointment. For a severe burn, immerse the burned area in ice water at once and see a physician as quickly as possible. In the unlikely event of oral ingestion of the propellant, induce vomiting and see a physician as quickly as possible. The AeroTech/RCS reload delay kit pyrotechnic components consists primarily of ammonium perchlorate and a rubber-like plastic elastomer.

Disposal

Damaged or defective reload delay kits should be returned to RCS.

Fire Safety

Tests show that the pyrotechnic components of RMS™ reload delay kits will not explode in fires and normally will not ignite unless subjected to direct flame and then will burn slowly. Use water to fight any fires in which AeroTech/RCS RMS™ reload delay kit pyrotechnic components may become involved: Direct the water at the AeroTech/RCS RMS™ reload delay kit pyrotechnic components to keep them below their 550 deg. F autoignition temperature. Foam and carbon dioxide fire extinguishers will NOT extinguish burning propellants of the type used in RMS™ reload delay kit pyrotechnic components. Keep reload delay kit pyrotechnic components away from flames, sources of heat and flammable materials.

Disclaimer and Warranty

NOTICE: Since we cannot control the storage and use of our products, once sold we cannot assume any responsibility for product storage, transportation or usage. RCS shall not be held responsible for any personal injury or property damage resulting from the handling, storage or use of our product. The buyer assumes all risks and liabilities therefrom and accepts and uses AeroTech/RCS products on these conditions. No warranty either expressed or implied is made regarding AeroTech products, except for replacement or repair, at RCS's option, of those products which are proven to be defective in manufacture within one year from the date of original purchase. For repair or replacement under this warranty, please contact RCS. Proof of purchase will be required. Note: Your state may provide additional rights not covered by this warranty.

AeroTech Division
RCS Rocket Motor Components, Inc.
Cedar City, UT 84720
www.aerotech-rocketry.com

P/N 19960 Rev. 6/25/04
Made in U.S.A.
©2004 RCS Rocket Motor Components, Inc.
All rights reserved



Advanced
Delay
Sealing
System

38MM HIGH-POWER RMS-PLUS™ RELOAD DELAY KIT (RDK)

AeroTech Product No: RDK-10PLUS

For Use With The Following RMS™ Reload Kits ONLY:
H242T-M, I357T-M, I300T-M, I435T-M, I600R-M

This RDK Contains The Following Parts:

Part No.	Description	Qty.
03363	RMS-Plus™ delay element (.469" long grey solid part)	3
03329	Aft delay spacer (.375" long black paper ring)	3

NOTE: The delay o-ring, delay insulator and forward delay spacer mentioned in the RDK instructions now come supplied with all RMS™ reload part kits.

NOTE: SALE TO PERSONS UNDER 18 YEARS OF AGE PROHIBITED BY FEDERAL LAW. WARNING-FLAMMABLE: Read Instructions Before Use. KEEP OUT OF REACH OF CHILDREN. FOR USE ONLY BY CERTIFIED HIGH-POWER USERS 18 YEARS OF AGE OR OLDER. DO NOT SMOKE when loading these motors or use in the vicinity of open flames.

First Aid

For a minor burn, apply a burn ointment. For a severe burn, immerse the burned area in ice water at once and see a physician as quickly as possible. In the unlikely event of oral ingestion of the propellant, induce vomiting and see a physician as quickly as possible. The AeroTech/RCS reload delay kit pyrotechnic components consists primarily of ammonium perchlorate and a rubber-like plastic elastomer.

Disposal

Damaged or defective reload delay kits should be returned to RCS.

Fire Safety

Tests show that the pyrotechnic components of RMS™ reload delay kits will not explode in fires and normally will not ignite unless subjected to direct flame and then will burn slowly. Use water to fight any fires in which AeroTech/RCS RMS™ reload delay kit pyrotechnic components may become involved: Direct the water at the AeroTech/RCS RMS™ reload delay kit pyrotechnic components to keep them below their 550 deg. F autoignition temperature. Foam and carbon dioxide fire extinguishers will NOT extinguish burning propellants of the type used in RMS™ reload delay kit pyrotechnic components. Keep reload delay kit pyrotechnic components away from flames, sources of heat and flammable materials.

Disclaimer and Warranty

NOTICE: Since we cannot control the storage and use of our products, once sold we cannot assume any responsibility for product storage, transportation or usage. RCS shall not be held responsible for any personal injury or property damage resulting from the handling, storage or use of our product. The buyer assumes all risks and liabilities therefrom and accepts and uses AeroTech/RCS products on these conditions. No warranty either expressed or implied is made regarding AeroTech products, except for replacement or repair, at RCS's option, of those products which are proven to be defective in manufacture within one year from the date of original purchase. For repair or replacement under this warranty, please contact RCS. Proof of purchase will be required. Note: Your state may provide additional rights not covered by this warranty.

AeroTech Division
RCS Rocket Motor Components, Inc.
Cedar City, UT 84720
www.aerotech-rocketry.com

P/N 19960 Rev. 6/25/04
Made in U.S.A.
©2004 RCS Rocket Motor Components, Inc.
All rights reserved



Advanced
Delay
Sealing
System

38MM HIGH-POWER RMS-PLUS™ RELOAD DELAY KIT (RDK)

AeroTech Product No: RDK-10PLUS

For Use With The Following RMS™ Reload Kits ONLY:
H242T-M, I357T-M, I300T-M, I435T-M, I600R-M

This RDK Contains The Following Parts:

Part No.	Description	Qty.
03363	RMS-Plus™ delay element (.469" long grey solid part)	3
03329	Aft delay spacer (.375" long black paper ring)	3

NOTE: The delay o-ring, delay insulator and forward delay spacer mentioned in the RDK instructions now come supplied with all RMS™ reload part kits.

NOTE: SALE TO PERSONS UNDER 18 YEARS OF AGE PROHIBITED BY FEDERAL LAW. WARNING-FLAMMABLE: Read Instructions Before Use. KEEP OUT OF REACH OF CHILDREN. FOR USE ONLY BY CERTIFIED HIGH-POWER USERS 18 YEARS OF AGE OR OLDER. DO NOT SMOKE when loading these motors or use in the vicinity of open flames.

First Aid

For a minor burn, apply a burn ointment. For a severe burn, immerse the burned area in ice water at once and see a physician as quickly as possible. In the unlikely event of oral ingestion of the propellant, induce vomiting and see a physician as quickly as possible. The AeroTech/RCS reload delay kit pyrotechnic components consists primarily of ammonium perchlorate and a rubber-like plastic elastomer.

Disposal

Damaged or defective reload delay kits should be returned to RCS.

Fire Safety

Tests show that the pyrotechnic components of RMS™ reload delay kits will not explode in fires and normally will not ignite unless subjected to direct flame and then will burn slowly. Use water to fight any fires in which AeroTech/RCS RMS™ reload delay kit pyrotechnic components may become involved: Direct the water at the AeroTech/RCS RMS™ reload delay kit pyrotechnic components to keep them below their 550 deg. F autoignition temperature. Foam and carbon dioxide fire extinguishers will NOT extinguish burning propellants of the type used in RMS™ reload delay kit pyrotechnic components. Keep reload delay kit pyrotechnic components away from flames, sources of heat and flammable materials.

Disclaimer and Warranty

NOTICE: Since we cannot control the storage and use of our products, once sold we cannot assume any responsibility for product storage, transportation or usage. RCS shall not be held responsible for any personal injury or property damage resulting from the handling, storage or use of our product. The buyer assumes all risks and liabilities therefrom and accepts and uses AeroTech/RCS products on these conditions. No warranty either expressed or implied is made regarding AeroTech products, except for replacement or repair, at RCS's option, of those products which are proven to be defective in manufacture within one year from the date of original purchase. For repair or replacement under this warranty, please contact RCS. Proof of purchase will be required. Note: Your state may provide additional rights not covered by this warranty.

AeroTech Division
RCS Rocket Motor Components, Inc.
Cedar City, UT 84720
www.aerotech-rocketry.com

P/N 19961 Rev. 3/1/10
Made in U.S.A.
©2004-2010 RCS Rocket Motor Components, Inc.
All rights reserved



Advanced
Delay
Sealing
System

38MM HIGH-POWER RMS-PLUS™ RELOAD DELAY KIT (RDK)

AeroTech Product No: RDK-11PLUS

For Use With The Following RMS™ Reload Kits ONLY:

**661W-S, H123W-S, I161W-S, I211W-S, I245G-M,
I284W-S, J350W-S, J500G-M, J570W-S**

This RDK Contains The Following Parts:

Part No.	Description	Qty.
03366	RMS-Plus™ delay element (.500" long grey solid part)	3
03326	Aft delay spacer (.344" long red paper ring)	3

NOTE: The delay o-ring, delay insulator and forward delay spacer mentioned in the RDK instructions now come supplied with all RMS™ reload part kits.

NOTE: SALE TO PERSONS UNDER 18 YEARS OF AGE PROHIBITED BY FEDERAL LAW. WARNING-FLAMMABLE: Read Instructions Before Use. KEEP OUT OF REACH OF CHILDREN. FOR USE ONLY BY CERTIFIED HIGH-POWER USERS 18 YEARS OF AGE OR OLDER. DO NOT SMOKE when loading these motors or use in the vicinity of open flames.

First Aid

For a minor burn, apply a burn ointment. For a severe burn, immerse the burned area in ice water at once and see a physician as quickly as possible. In the unlikely event of oral ingestion of the propellant, induce vomiting and see a physician as quickly as possible. The AeroTech/RCS reload delay kit pyrotechnic components consists primarily of ammonium perchlorate and a rubber-like plastic elastomer.

Disposal

Damaged or defective reload delay kits should be returned to RCS.

Fire Safety

Tests show that the pyrotechnic components of RMS™ reload delay kits will not explode in fires and normally will not ignite unless subjected to direct flame and then will burn slowly. Use water to fight any fires in which AeroTech/RCS RMS™ reload delay kit pyrotechnic components may become involved: Direct the water at the AeroTech/RCS RMS™ reload delay kit pyrotechnic components to keep them below their 550 deg. F autoignition temperature. Foam and carbon dioxide fire extinguishers will NOT extinguish burning propellants of the type used in RMS™ reload delay kit pyrotechnic components. Keep reload delay kit pyrotechnic components away from flames, sources of heat and flammable materials.

Disclaimer and Warranty

NOTICE: Since we cannot control the storage and use of our products, once sold we cannot assume any responsibility for product storage, transportation or usage. RCS shall not be held responsible for any personal injury or property damage resulting from the handling, storage or use of our product. The buyer assumes all risks and liabilities therefrom and accepts and uses AeroTech/RCS products on these conditions. No warranty either expressed or implied is made regarding AeroTech products, except for replacement or repair, at RCS's option, of those products which are proven to be defective in manufacture within one year from the date of original purchase. For repair or replacement under this warranty, please contact RCS. Proof of purchase will be required. Note: Your state may provide additional rights not covered by this warranty.

AeroTech Division
RCS Rocket Motor Components, Inc.
Cedar City, UT 84720
www.aerotech-rocketry.com

P/N 19961 Rev. 3/1/10
Made in U.S.A.
©2004-2010 RCS Rocket Motor Components, Inc.
All rights reserved



Advanced
Delay
Sealing
System

38MM HIGH-POWER RMS-PLUS™ RELOAD DELAY KIT (RDK)

AeroTech Product No: RDK-11PLUS

For Use With The Following RMS™ Reload Kits ONLY:

**661W-S, H123W-S, I161W-S, I211W-S, I245G-M,
I284W-S, J350W-S, J500G-M, J570W-S**

This RDK Contains The Following Parts:

Part No.	Description	Qty.
03366	RMS-Plus™ delay element (.500" long grey solid part)	3
03326	Aft delay spacer (.344" long red paper ring)	3

NOTE: The delay o-ring, delay insulator and forward delay spacer mentioned in the RDK instructions now come supplied with all RMS™ reload part kits.

NOTE: SALE TO PERSONS UNDER 18 YEARS OF AGE PROHIBITED BY FEDERAL LAW. WARNING-FLAMMABLE: Read Instructions Before Use. KEEP OUT OF REACH OF CHILDREN. FOR USE ONLY BY CERTIFIED HIGH-POWER USERS 18 YEARS OF AGE OR OLDER. DO NOT SMOKE when loading these motors or use in the vicinity of open flames.

First Aid

For a minor burn, apply a burn ointment. For a severe burn, immerse the burned area in ice water at once and see a physician as quickly as possible. In the unlikely event of oral ingestion of the propellant, induce vomiting and see a physician as quickly as possible. The AeroTech/RCS reload delay kit pyrotechnic components consists primarily of ammonium perchlorate and a rubber-like plastic elastomer.

Disposal

Damaged or defective reload delay kits should be returned to RCS.

Fire Safety

Tests show that the pyrotechnic components of RMS™ reload delay kits will not explode in fires and normally will not ignite unless subjected to direct flame and then will burn slowly. Use water to fight any fires in which AeroTech/RCS RMS™ reload delay kit pyrotechnic components may become involved: Direct the water at the AeroTech/RCS RMS™ reload delay kit pyrotechnic components to keep them below their 550 deg. F autoignition temperature. Foam and carbon dioxide fire extinguishers will NOT extinguish burning propellants of the type used in RMS™ reload delay kit pyrotechnic components. Keep reload delay kit pyrotechnic components away from flames, sources of heat and flammable materials.

Disclaimer and Warranty

NOTICE: Since we cannot control the storage and use of our products, once sold we cannot assume any responsibility for product storage, transportation or usage. RCS shall not be held responsible for any personal injury or property damage resulting from the handling, storage or use of our product. The buyer assumes all risks and liabilities therefrom and accepts and uses AeroTech/RCS products on these conditions. No warranty either expressed or implied is made regarding AeroTech products, except for replacement or repair, at RCS's option, of those products which are proven to be defective in manufacture within one year from the date of original purchase. For repair or replacement under this warranty, please contact RCS. Proof of purchase will be required. Note: Your state may provide additional rights not covered by this warranty.

AeroTech Division
RCS Rocket Motor Components, Inc.
Cedar City, UT 84720
www.aerotech-rocketry.com

P/N 19962 Rev. 6/25/04
Made in U.S.A.
©2004 RCS Rocket Motor Components, Inc.
All rights reserved



Advanced
Delay
Sealing
System

38MM HIGH-POWER RMS-PLUS™ RELOAD DELAY KIT (RDK)

AeroTech Product No: RDK-12PLUS

For Use With The Following RMS™ Reload Kits ONLY:

**H123W-M, H242T-L, I161W-M, I211W-M, I357T-L,
I300T-L, I284W-M, I435T-L, J350W-M, J570W-M**

This RDK Contains The Following Parts:

Part No.	Description	Qty.
03369	RMS-Plus™ delay element (.594" long grey solid part)	3
03320	Aft delay spacer (.250" long orange paper ring)	3

NOTE: The delay o-ring, delay insulator and forward delay spacer mentioned in the RDK instructions now come supplied with all RMS™ reload part kits.

NOTE: SALE TO PERSONS UNDER 18 YEARS OF AGE PROHIBITED BY FEDERAL LAW. WARNING-FLAMMABLE: Read Instructions Before Use. KEEP OUT OF REACH OF CHILDREN. FOR USE ONLY BY CERTIFIED HIGH-POWER USERS 18 YEARS OF AGE OR OLDER. DO NOT SMOKE when loading these motors or use in the vicinity of open flames.

First Aid

For a minor burn, apply a burn ointment. For a severe burn, immerse the burned area in ice water at once and see a physician as quickly as possible. In the unlikely event of oral ingestion of the propellant, induce vomiting and see a physician as quickly as possible. The AeroTech/RCS reload delay kit pyrotechnic components consists primarily of ammonium perchlorate and a rubber-like plastic elastomer.

Disposal

Damaged or defective reload delay kits should be returned to RCS.

Fire Safety

Tests show that the pyrotechnic components of RMS™ reload delay kits will not explode in fires and normally will not ignite unless subjected to direct flame and then will burn slowly. Use water to fight any fires in which AeroTech/RCS RMS™ reload delay kit pyrotechnic components may become involved: Direct the water at the AeroTech/RCS RMS™ reload delay kit pyrotechnic components to keep them below their 550 deg. F autoignition temperature. Foam and carbon dioxide fire extinguishers will NOT extinguish burning propellants of the type used in RMS™ reload delay kit pyrotechnic components. Keep reload delay kit pyrotechnic components away from flames, sources of heat and flammable materials.

Disclaimer and Warranty

NOTICE: Since we cannot control the storage and use of our products, once sold we cannot assume any responsibility for product storage, transportation or usage. RCS shall not be held responsible for any personal injury or property damage resulting from the handling, storage or use of our product. The buyer assumes all risks and liabilities therefrom and accepts and uses AeroTech/RCS products on these conditions. No warranty either expressed or implied is made regarding AeroTech products, except for replacement or repair, at RCS's option, of those products which are proven to be defective in manufacture within one year from the date of original purchase. For repair or replacement under this warranty, please contact RCS. Proof of purchase will be required. Note: Your state may provide additional rights not covered by this warranty.

AeroTech Division
RCS Rocket Motor Components, Inc.
Cedar City, UT 84720
www.aerotech-rocketry.com

P/N 19962 Rev. 6/25/04
Made in U.S.A.
©2004 RCS Rocket Motor Components, Inc.
All rights reserved



Advanced
Delay
Sealing
System

38MM HIGH-POWER RMS-PLUS™ RELOAD DELAY KIT (RDK)

AeroTech Product No: RDK-12PLUS

For Use With The Following RMS™ Reload Kits ONLY:

**H123W-M, H242T-L, I161W-M, I211W-M, I357T-L,
I300T-L, I284W-M, I435T-L, J350W-M, J570W-M**

This RDK Contains The Following Parts:

Part No.	Description	Qty.
03369	RMS-Plus™ delay element (.594" long grey solid part)	3
03320	Aft delay spacer (.250" long orange paper ring)	3

NOTE: The delay o-ring, delay insulator and forward delay spacer mentioned in the RDK instructions now come supplied with all RMS™ reload part kits.

NOTE: SALE TO PERSONS UNDER 18 YEARS OF AGE PROHIBITED BY FEDERAL LAW. WARNING-FLAMMABLE: Read Instructions Before Use. KEEP OUT OF REACH OF CHILDREN. FOR USE ONLY BY CERTIFIED HIGH-POWER USERS 18 YEARS OF AGE OR OLDER. DO NOT SMOKE when loading these motors or use in the vicinity of open flames.

First Aid

For a minor burn, apply a burn ointment. For a severe burn, immerse the burned area in ice water at once and see a physician as quickly as possible. In the unlikely event of oral ingestion of the propellant, induce vomiting and see a physician as quickly as possible. The AeroTech/RCS reload delay kit pyrotechnic components consists primarily of ammonium perchlorate and a rubber-like plastic elastomer.

Disposal

Damaged or defective reload delay kits should be returned to RCS.

Fire Safety

Tests show that the pyrotechnic components of RMS™ reload delay kits will not explode in fires and normally will not ignite unless subjected to direct flame and then will burn slowly. Use water to fight any fires in which AeroTech/RCS RMS™ reload delay kit pyrotechnic components may become involved: Direct the water at the AeroTech/RCS RMS™ reload delay kit pyrotechnic components to keep them below their 550 deg. F autoignition temperature. Foam and carbon dioxide fire extinguishers will NOT extinguish burning propellants of the type used in RMS™ reload delay kit pyrotechnic components. Keep reload delay kit pyrotechnic components away from flames, sources of heat and flammable materials.

Disclaimer and Warranty

NOTICE: Since we cannot control the storage and use of our products, once sold we cannot assume any responsibility for product storage, transportation or usage. RCS shall not be held responsible for any personal injury or property damage resulting from the handling, storage or use of our product. The buyer assumes all risks and liabilities therefrom and accepts and uses AeroTech/RCS products on these conditions. No warranty either expressed or implied is made regarding AeroTech products, except for replacement or repair, at RCS's option, of those products which are proven to be defective in manufacture within one year from the date of original purchase. For repair or replacement under this warranty, please contact RCS. Proof of purchase will be required. Note: Your state may provide additional rights not covered by this warranty.

AeroTech Division
RCS Rocket Motor Components, Inc.
Cedar City, UT 84720
www.aerotech-rocketry.com

P/N 19963 Rev. 3/1/10
Made in U.S.A.
©2004-2010 RCS Rocket Motor Components, Inc.
All rights reserved



Advanced
Delay
Sealing
System

38MM HIGH-POWER RMS-PLUS™ RELOAD DELAY KIT (RDK)

AeroTech Product No: RDK-13PLUS

For Use With The Following RMS™ Reload Kit ONLY:

I195J-S, I245G-L, J500G-L

This RDK Contains The Following Parts:

Part No.	Description	Qty.
03372	RMS-Plus™ delay element (.625" long grey solid part)	3
03317	Aft delay spacer (.219" long yellow paper ring)	3

NOTE: The delay o-ring, delay insulator and forward delay spacer mentioned in the RDK instructions now come supplied with all RMS™ reload part kits.

NOTE: SALE TO PERSONS UNDER 18 YEARS OF AGE PROHIBITED BY FEDERAL LAW. WARNING-FLAMMABLE: Read Instructions Before Use. KEEP OUT OF REACH OF CHILDREN. FOR USE ONLY BY CERTIFIED HIGH-POWER USERS 18 YEARS OF AGE OR OLDER. DO NOT SMOKE when loading these motors or use in the vicinity of open flames.

First Aid

For a minor burn, apply a burn ointment. For a severe burn, immerse the burned area in ice water at once and see a physician as quickly as possible. In the unlikely event of oral ingestion of the propellant, induce vomiting and see a physician as quickly as possible. The AeroTech/RCS reload delay kit pyrotechnic components consists primarily of ammonium perchlorate and a rubber-like plastic elastomer.

Disposal

Damaged or defective reload delay kits should be returned to RCS.

Fire Safety

Tests show that the pyrotechnic components of RMS™ reload delay kits will not explode in fires and normally will not ignite unless subjected to direct flame and then will burn slowly. Use water to fight any fires in which AeroTech/RCS RMS™ reload delay kit pyrotechnic components may become involved: Direct the water at the AeroTech/RCS RMS™ reload delay kit pyrotechnic components to keep them below their 550 deg. F autoignition temperature. Foam and carbon dioxide fire extinguishers will NOT extinguish burning propellants of the type used in RMS™ reload delay kit pyrotechnic components. Keep reload delay kit pyrotechnic components away from flames, sources of heat and flammable materials.

Disclaimer and Warranty

NOTICE: Since we cannot control the storage and use of our products, once sold we cannot assume any responsibility for product storage, transportation or usage. RCS shall not be held responsible for any personal injury or property damage resulting from the handling, storage or use of our product. The buyer assumes all risks and liabilities therefrom and accepts and uses AeroTech/RCS products on these conditions. No warranty either expressed or implied is made regarding AeroTech products, except for replacement or repair, at RCS's option, of those products which are proven to be defective in manufacture within one year from the date of original purchase. For repair or replacement under this warranty, please contact RCS. Proof of purchase will be required. Note: Your state may provide additional rights not covered by this warranty.

AeroTech Division
RCS Rocket Motor Components, Inc.
Cedar City, UT 84720
www.aerotech-rocketry.com

P/N 19963 Rev. 3/1/10
Made in U.S.A.
©2004-2010 RCS Rocket Motor Components, Inc.
All rights reserved



Advanced
Delay
Sealing
System

38MM HIGH-POWER RMS-PLUS™ RELOAD DELAY KIT (RDK)

AeroTech Product No: RDK-13PLUS

For Use With The Following RMS™ Reload Kit ONLY:

I195J-S, I245G-L, J500G-L

This RDK Contains The Following Parts:

Part No.	Description	Qty.
03372	RMS-Plus™ delay element (.625" long grey solid part)	3
03317	Aft delay spacer (.219" long yellow paper ring)	3

NOTE: The delay o-ring, delay insulator and forward delay spacer mentioned in the RDK instructions now come supplied with all RMS™ reload part kits.

NOTE: SALE TO PERSONS UNDER 18 YEARS OF AGE PROHIBITED BY FEDERAL LAW. WARNING-FLAMMABLE: Read Instructions Before Use. KEEP OUT OF REACH OF CHILDREN. FOR USE ONLY BY CERTIFIED HIGH-POWER USERS 18 YEARS OF AGE OR OLDER. DO NOT SMOKE when loading these motors or use in the vicinity of open flames.

First Aid

For a minor burn, apply a burn ointment. For a severe burn, immerse the burned area in ice water at once and see a physician as quickly as possible. In the unlikely event of oral ingestion of the propellant, induce vomiting and see a physician as quickly as possible. The AeroTech/RCS reload delay kit pyrotechnic components consists primarily of ammonium perchlorate and a rubber-like plastic elastomer.

Disposal

Damaged or defective reload delay kits should be returned to RCS.

Fire Safety

Tests show that the pyrotechnic components of RMS™ reload delay kits will not explode in fires and normally will not ignite unless subjected to direct flame and then will burn slowly. Use water to fight any fires in which AeroTech/RCS RMS™ reload delay kit pyrotechnic components may become involved: Direct the water at the AeroTech/RCS RMS™ reload delay kit pyrotechnic components to keep them below their 550 deg. F autoignition temperature. Foam and carbon dioxide fire extinguishers will NOT extinguish burning propellants of the type used in RMS™ reload delay kit pyrotechnic components. Keep reload delay kit pyrotechnic components away from flames, sources of heat and flammable materials.

Disclaimer and Warranty

NOTICE: Since we cannot control the storage and use of our products, once sold we cannot assume any responsibility for product storage, transportation or usage. RCS shall not be held responsible for any personal injury or property damage resulting from the handling, storage or use of our product. The buyer assumes all risks and liabilities therefrom and accepts and uses AeroTech/RCS products on these conditions. No warranty either expressed or implied is made regarding AeroTech products, except for replacement or repair, at RCS's option, of those products which are proven to be defective in manufacture within one year from the date of original purchase. For repair or replacement under this warranty, please contact RCS. Proof of purchase will be required. Note: Your state may provide additional rights not covered by this warranty.

AeroTech Division
RCS Rocket Motor Components, Inc.
Cedar City, UT 84720
www.aerotech-rocketry.com

P/N 19964 Rev. 6/25/04
Made in U.S.A.
©2004 RCS Rocket Motor Components, Inc.
All rights reserved



Advanced
Delay
Sealing
System

38MM HIGH-POWER RMS-PLUS™ RELOAD DELAY KIT (RDK)

AeroTech Product No: RDK-14PLUS

For Use With The Following RMS™ Reload Kits ONLY:

**H73J-S, H148R-L, H112J-S, I218R-L,
I154J-S, I285R-L, I366R-L, J420R-L**

This RDK Contains The Following Parts:

Part No.	Description	Qty.
03375	RMS-Plus™ delay element (.656" long grey solid part)	3
03314	Aft delay spacer (.188" long green paper ring)	3

NOTE: The delay o-ring, delay insulator and forward delay spacer mentioned in the RDK instructions now come supplied with all RMS™ reload part kits.

NOTE: SALE TO PERSONS UNDER 18 YEARS OF AGE PROHIBITED BY FEDERAL LAW. WARNING-FLAMMABLE: Read Instructions Before Use. KEEP OUT OF REACH OF CHILDREN. FOR USE ONLY BY CERTIFIED HIGH-POWER USERS 18 YEARS OF AGE OR OLDER. DO NOT SMOKE when loading these motors or use in the vicinity of open flames.

First Aid

For a minor burn, apply a burn ointment. For a severe burn, immerse the burned area in ice water at once and see a physician as quickly as possible. In the unlikely event of oral ingestion of the propellant, induce vomiting and see a physician as quickly as possible. The AeroTech/RCS reload delay kit pyrotechnic components consists primarily of ammonium perchlorate and a rubber-like plastic elastomer.

Disposal

Damaged or defective reload delay kits should be returned to RCS.

Fire Safety

Tests show that the pyrotechnic components of RMS™ reload delay kits will not explode in fires and normally will not ignite unless subjected to direct flame and then will burn slowly. Use water to fight any fires in which AeroTech/RCS RMS™ reload delay kit pyrotechnic components may become involved: Direct the water at the AeroTech/RCS RMS™ reload delay kit pyrotechnic components to keep them below their 550 deg. F autoignition temperature. Foam and carbon dioxide fire extinguishers will NOT extinguish burning propellants of the type used in RMS™ reload delay kit pyrotechnic components. Keep reload delay kit pyrotechnic components away from flames, sources of heat and flammable materials.

Disclaimer and Warranty

NOTICE: Since we cannot control the storage and use of our products, once sold we cannot assume any responsibility for product storage, transportation or usage. RCS shall not be held responsible for any personal injury or property damage resulting from the handling, storage or use of our product. The buyer assumes all risks and liabilities therefrom and accepts and uses AeroTech/RCS products on these conditions. No warranty either expressed or implied is made regarding AeroTech products, except for replacement or repair, at RCS's option, of those products which are proven to be defective in manufacture within one year from the date of original purchase. For repair or replacement under this warranty, please contact RCS. Proof of purchase will be required. Note: Your state may provide additional rights not covered by this warranty.

AeroTech Division
RCS Rocket Motor Components, Inc.
Cedar City, UT 84720
www.aerotech-rocketry.com

P/N 19964 Rev. 6/25/04
Made in U.S.A.
©2004 RCS Rocket Motor Components, Inc.
All rights reserved



Advanced
Delay
Sealing
System

38MM HIGH-POWER RMS-PLUS™ RELOAD DELAY KIT (RDK)

AeroTech Product No: RDK-14PLUS

For Use With The Following RMS™ Reload Kits ONLY:

**H73J-S, H148R-L, H112J-S, I218R-L,
I154J-S, I285R-L, I366R-L, J420R-L**

This RDK Contains The Following Parts:

Part No.	Description	Qty.
03375	RMS-Plus™ delay element (.656" long grey solid part)	3
03314	Aft delay spacer (.188" long green paper ring)	3

NOTE: The delay o-ring, delay insulator and forward delay spacer mentioned in the RDK instructions now come supplied with all RMS™ reload part kits.

NOTE: SALE TO PERSONS UNDER 18 YEARS OF AGE PROHIBITED BY FEDERAL LAW. WARNING-FLAMMABLE: Read Instructions Before Use. KEEP OUT OF REACH OF CHILDREN. FOR USE ONLY BY CERTIFIED HIGH-POWER USERS 18 YEARS OF AGE OR OLDER. DO NOT SMOKE when loading these motors or use in the vicinity of open flames.

First Aid

For a minor burn, apply a burn ointment. For a severe burn, immerse the burned area in ice water at once and see a physician as quickly as possible. In the unlikely event of oral ingestion of the propellant, induce vomiting and see a physician as quickly as possible. The AeroTech/RCS reload delay kit pyrotechnic components consists primarily of ammonium perchlorate and a rubber-like plastic elastomer.

Disposal

Damaged or defective reload delay kits should be returned to RCS.

Fire Safety

Tests show that the pyrotechnic components of RMS™ reload delay kits will not explode in fires and normally will not ignite unless subjected to direct flame and then will burn slowly. Use water to fight any fires in which AeroTech/RCS RMS™ reload delay kit pyrotechnic components may become involved: Direct the water at the AeroTech/RCS RMS™ reload delay kit pyrotechnic components to keep them below their 550 deg. F autoignition temperature. Foam and carbon dioxide fire extinguishers will NOT extinguish burning propellants of the type used in RMS™ reload delay kit pyrotechnic components. Keep reload delay kit pyrotechnic components away from flames, sources of heat and flammable materials.

Disclaimer and Warranty

NOTICE: Since we cannot control the storage and use of our products, once sold we cannot assume any responsibility for product storage, transportation or usage. RCS shall not be held responsible for any personal injury or property damage resulting from the handling, storage or use of our product. The buyer assumes all risks and liabilities therefrom and accepts and uses AeroTech/RCS products on these conditions. No warranty either expressed or implied is made regarding AeroTech products, except for replacement or repair, at RCS's option, of those products which are proven to be defective in manufacture within one year from the date of original purchase. For repair or replacement under this warranty, please contact RCS. Proof of purchase will be required. Note: Your state may provide additional rights not covered by this warranty.

AeroTech Division
RCS Rocket Motor Components, Inc.
Cedar City, UT 84720
www.aerotech-rocketry.com

P/N 19965 Rev. 6/25/04
Made in U.S.A.
©2004 RCS Rocket Motor Components, Inc.
All rights reserved



Advanced
Delay
Sealing
System

38MM HIGH-POWER RMS-PLUS™ RELOAD DELAY KIT (RDK)

AeroTech Product No: RDK-15PLUS

For Use With The Following RMS™ Reload Kits ONLY:

**G61W-L, H123W-L, I161W-L, I211W-L,
I284W-L, J350W-L, J570W-L**

This RDK Contains The Following Parts:

Part No.	Description	Qty.
03378	RMS-Plus™ delay element (.719" long grey solid part)	3
03311	Aft delay spacer (.125" long blue paper ring)	3

NOTE: The delay o-ring, delay insulator and forward delay spacer mentioned in the RDK instructions now come supplied with all RMS™ reload part kits.

NOTE: SALE TO PERSONS UNDER 18 YEARS OF AGE PROHIBITED BY FEDERAL LAW. WARNING-FLAMMABLE: Read Instructions Before Use. KEEP OUT OF REACH OF CHILDREN. FOR USE ONLY BY CERTIFIED HIGH-POWER USERS 18 YEARS OF AGE OR OLDER. DO NOT SMOKE when loading these motors or use in the vicinity of open flames.

First Aid

For a minor burn, apply a burn ointment. For a severe burn, immerse the burned area in ice water at once and see a physician as quickly as possible. In the unlikely event of oral ingestion of the propellant, induce vomiting and see a physician as quickly as possible. The AeroTech/RCS reload delay kit pyrotechnic components consists primarily of ammonium perchlorate and a rubber-like plastic elastomer.

Disposal

Damaged or defective reload delay kits should be returned to RCS.

Fire Safety

Tests show that the pyrotechnic components of RMS™ reload delay kits will not explode in fires and normally will not ignite unless subjected to direct flame and then will burn slowly. Use water to fight any fires in which AeroTech/RCS RMS™ reload delay kit pyrotechnic components may become involved: Direct the water at the AeroTech/RCS RMS™ reload delay kit pyrotechnic components to keep them below their 550 deg. F autoignition temperature. Foam and carbon dioxide fire extinguishers will NOT extinguish burning propellants of the type used in RMS™ reload delay kit pyrotechnic components. Keep reload delay kit pyrotechnic components away from flames, sources of heat and flammable materials.

Disclaimer and Warranty

NOTICE: Since we cannot control the storage and use of our products, once sold we cannot assume any responsibility for product storage, transportation or usage. RCS shall not be held responsible for any personal injury or property damage resulting from the handling, storage or use of our product. The buyer assumes all risks and liabilities therefrom and accepts and uses AeroTech/RCS products on these conditions. No warranty either expressed or implied is made regarding AeroTech products, except for replacement or repair, at RCS's option, of those products which are proven to be defective in manufacture within one year from the date of original purchase. For repair or replacement under this warranty, please contact RCS. Proof of purchase will be required. Note: Your state may provide additional rights not covered by this warranty.

AeroTech Division
RCS Rocket Motor Components, Inc.
Cedar City, UT 84720
www.aerotech-rocketry.com

P/N 19965 Rev. 6/25/04
Made in U.S.A.
©2004 RCS Rocket Motor Components, Inc.
All rights reserved



Advanced
Delay
Sealing
System

38MM HIGH-POWER RMS-PLUS™ RELOAD DELAY KIT (RDK)

AeroTech Product No: RDK-15PLUS

For Use With The Following RMS™ Reload Kits ONLY:

**G61W-L, H123W-L, I161W-L, I211W-L,
I284W-L, J350W-L, J570W-L**

This RDK Contains The Following Parts:

Part No.	Description	Qty.
03378	RMS-Plus™ delay element (.719" long grey solid part)	3
03311	Aft delay spacer (.125" long blue paper ring)	3

NOTE: The delay o-ring, delay insulator and forward delay spacer mentioned in the RDK instructions now come supplied with all RMS™ reload part kits.

NOTE: SALE TO PERSONS UNDER 18 YEARS OF AGE PROHIBITED BY FEDERAL LAW. WARNING-FLAMMABLE: Read Instructions Before Use. KEEP OUT OF REACH OF CHILDREN. FOR USE ONLY BY CERTIFIED HIGH-POWER USERS 18 YEARS OF AGE OR OLDER. DO NOT SMOKE when loading these motors or use in the vicinity of open flames.

First Aid

For a minor burn, apply a burn ointment. For a severe burn, immerse the burned area in ice water at once and see a physician as quickly as possible. In the unlikely event of oral ingestion of the propellant, induce vomiting and see a physician as quickly as possible. The AeroTech/RCS reload delay kit pyrotechnic components consists primarily of ammonium perchlorate and a rubber-like plastic elastomer.

Disposal

Damaged or defective reload delay kits should be returned to RCS.

Fire Safety

Tests show that the pyrotechnic components of RMS™ reload delay kits will not explode in fires and normally will not ignite unless subjected to direct flame and then will burn slowly. Use water to fight any fires in which AeroTech/RCS RMS™ reload delay kit pyrotechnic components may become involved: Direct the water at the AeroTech/RCS RMS™ reload delay kit pyrotechnic components to keep them below their 550 deg. F autoignition temperature. Foam and carbon dioxide fire extinguishers will NOT extinguish burning propellants of the type used in RMS™ reload delay kit pyrotechnic components. Keep reload delay kit pyrotechnic components away from flames, sources of heat and flammable materials.

Disclaimer and Warranty

NOTICE: Since we cannot control the storage and use of our products, once sold we cannot assume any responsibility for product storage, transportation or usage. RCS shall not be held responsible for any personal injury or property damage resulting from the handling, storage or use of our product. The buyer assumes all risks and liabilities therefrom and accepts and uses AeroTech/RCS products on these conditions. No warranty either expressed or implied is made regarding AeroTech products, except for replacement or repair, at RCS's option, of those products which are proven to be defective in manufacture within one year from the date of original purchase. For repair or replacement under this warranty, please contact RCS. Proof of purchase will be required. Note: Your state may provide additional rights not covered by this warranty.

AeroTech Division
RCS Rocket Motor Components, Inc.
Cedar City, UT 84720
www.aerotech-rocketry.com

P/N 19966 Rev. 6/25/04
Made in U.S.A.
©2004 RCS Rocket Motor Components, Inc.
All rights reserved



Advanced
Delay
Sealing
System

38MM HIGH-POWER RMS-PLUS™ RELOAD DELAY KIT (RDK)

AeroTech Product No: RDK-16PLUS

For Use With The Following RMS™ Reload Kits ONLY:
H73J-M, H112J-M, I154J-M, I195J-M

This RDK Contains The Following Parts:

Part No.	Description	Qty.
03384	RMS-Plus™ delay element (.781" long grey solid part)	3
03305	Aft delay spacer (.063" long black paper ring)	3

NOTE: The delay o-ring, delay insulator and forward delay spacer mentioned in the RDK instructions now come supplied with all RMS™ reload part kits.

NOTE: SALE TO PERSONS UNDER 18 YEARS OF AGE PROHIBITED BY FEDERAL LAW. WARNING-FLAMMABLE: Read Instructions Before Use. KEEP OUT OF REACH OF CHILDREN. FOR USE ONLY BY CERTIFIED HIGH-POWER USERS 18 YEARS OF AGE OR OLDER. DO NOT SMOKE when loading these motors or use in the vicinity of open flames.

First Aid

For a minor burn, apply a burn ointment. For a severe burn, immerse the burned area in ice water at once and see a physician as quickly as possible. In the unlikely event of oral ingestion of the propellant, induce vomiting and see a physician as quickly as possible. The AeroTech/RCS reload delay kit pyrotechnic components consists primarily of ammonium perchlorate and a rubber-like plastic elastomer.

Disposal

Damaged or defective reload delay kits should be returned to RCS.

Fire Safety

Tests show that the pyrotechnic components of RMS™ reload delay kits will not explode in fires and normally will not ignite unless subjected to direct flame and then will burn slowly. Use water to fight any fires in which AeroTech/RCS RMS™ reload delay kit pyrotechnic components may become involved: Direct the water at the AeroTech/RCS RMS™ reload delay kit pyrotechnic components to keep them below their 550 deg. F autoignition temperature. Foam and carbon dioxide fire extinguishers will NOT extinguish burning propellants of the type used in RMS™ reload delay kit pyrotechnic components. Keep reload delay kit pyrotechnic components away from flames, sources of heat and flammable materials.

Disclaimer and Warranty

NOTICE: Since we cannot control the storage and use of our products, once sold we cannot assume any responsibility for product storage, transportation or usage. RCS shall not be held responsible for any personal injury or property damage resulting from the handling, storage or use of our product. The buyer assumes all risks and liabilities therefrom and accepts and uses AeroTech/RCS products on these conditions. No warranty either expressed or implied is made regarding AeroTech products, except for replacement or repair, at RCS's option, of those products which are proven to be defective in manufacture within one year from the date of original purchase. For repair or replacement under this warranty, please contact RCS. Proof of purchase will be required. Note: Your state may provide additional rights not covered by this warranty.

AeroTech Division
RCS Rocket Motor Components, Inc.
Cedar City, UT 84720
www.aerotech-rocketry.com

P/N 19966 Rev. 6/25/04
Made in U.S.A.
©2004 RCS Rocket Motor Components, Inc.
All rights reserved



Advanced
Delay
Sealing
System

38MM HIGH-POWER RMS-PLUS™ RELOAD DELAY KIT (RDK)

AeroTech Product No: RDK-16PLUS

For Use With The Following RMS™ Reload Kits ONLY:
H73J-M, H112J-M, I154J-M, I195J-M

This RDK Contains The Following Parts:

Part No.	Description	Qty.
03384	RMS-Plus™ delay element (.781" long grey solid part)	3
03305	Aft delay spacer (.063" long black paper ring)	3

NOTE: The delay o-ring, delay insulator and forward delay spacer mentioned in the RDK instructions now come supplied with all RMS™ reload part kits.

NOTE: SALE TO PERSONS UNDER 18 YEARS OF AGE PROHIBITED BY FEDERAL LAW. WARNING-FLAMMABLE: Read Instructions Before Use. KEEP OUT OF REACH OF CHILDREN. FOR USE ONLY BY CERTIFIED HIGH-POWER USERS 18 YEARS OF AGE OR OLDER. DO NOT SMOKE when loading these motors or use in the vicinity of open flames.

First Aid

For a minor burn, apply a burn ointment. For a severe burn, immerse the burned area in ice water at once and see a physician as quickly as possible. In the unlikely event of oral ingestion of the propellant, induce vomiting and see a physician as quickly as possible. The AeroTech/RCS reload delay kit pyrotechnic components consists primarily of ammonium perchlorate and a rubber-like plastic elastomer.

Disposal

Damaged or defective reload delay kits should be returned to RCS.

Fire Safety

Tests show that the pyrotechnic components of RMS™ reload delay kits will not explode in fires and normally will not ignite unless subjected to direct flame and then will burn slowly. Use water to fight any fires in which AeroTech/RCS RMS™ reload delay kit pyrotechnic components may become involved: Direct the water at the AeroTech/RCS RMS™ reload delay kit pyrotechnic components to keep them below their 550 deg. F autoignition temperature. Foam and carbon dioxide fire extinguishers will NOT extinguish burning propellants of the type used in RMS™ reload delay kit pyrotechnic components. Keep reload delay kit pyrotechnic components away from flames, sources of heat and flammable materials.

Disclaimer and Warranty

NOTICE: Since we cannot control the storage and use of our products, once sold we cannot assume any responsibility for product storage, transportation or usage. RCS shall not be held responsible for any personal injury or property damage resulting from the handling, storage or use of our product. The buyer assumes all risks and liabilities therefrom and accepts and uses AeroTech/RCS products on these conditions. No warranty either expressed or implied is made regarding AeroTech products, except for replacement or repair, at RCS's option, of those products which are proven to be defective in manufacture within one year from the date of original purchase. For repair or replacement under this warranty, please contact RCS. Proof of purchase will be required. Note: Your state may provide additional rights not covered by this warranty.

AeroTech Division
RCS Rocket Motor Components, Inc.
Cedar City, UT 84720
www.aerotech-rocketry.com

P/N 19967 Rev. 6/25/04
Made in U.S.A.
©2004 RCS Rocket Motor Components, Inc.
All rights reserved



Advanced
Delay
Sealing
System

38MM HIGH-POWER RMS-PLUS™ RELOAD DELAY KIT (RDK)

AeroTech Product No: RDK-17PLUS

For Use With The Following RMS™ Reload Kits ONLY:
H148R-M, I218R-M, I285R-M, I366R-M, J420R-M

This RDK Contains The Following Parts:

Part No.	Description	Qty.
03367	RMS-Plus™ delay element (.532" long grey solid part)	3
03323	Aft delay spacer (.312" long pink paper ring)	3

NOTE: The delay o-ring, delay insulator and forward delay spacer mentioned in the RDK instructions now come supplied with all RMS™ reload part kits.

NOTE: SALE TO PERSONS UNDER 18 YEARS OF AGE PROHIBITED BY FEDERAL LAW. WARNING-FLAMMABLE: Read Instructions Before Use. KEEP OUT OF REACH OF CHILDREN. FOR USE ONLY BY CERTIFIED HIGH-POWER USERS 18 YEARS OF AGE OR OLDER. DO NOT SMOKE when loading these motors or use in the vicinity of open flames.

First Aid

For a minor burn, apply a burn ointment. For a severe burn, immerse the burned area in ice water at once and see a physician as quickly as possible. In the unlikely event of oral ingestion of the propellant, induce vomiting and see a physician as quickly as possible. The AeroTech/RCS reload delay kit pyrotechnic components consists primarily of ammonium perchlorate and a rubber-like plastic elastomer.

Disposal

Damaged or defective reload delay kits should be returned to RCS.

Fire Safety

Tests show that the pyrotechnic components of RMS™ reload delay kits will not explode in fires and normally will not ignite unless subjected to direct flame and then will burn slowly. Use water to fight any fires in which AeroTech/RCS RMS™ reload delay kit pyrotechnic components may become involved: Direct the water at the AeroTech/RCS RMS™ reload delay kit pyrotechnic components to keep them below their 550 deg. F autoignition temperature. Foam and carbon dioxide fire extinguishers will NOT extinguish burning propellants of the type used in RMS™ reload delay kit pyrotechnic components. Keep reload delay kit pyrotechnic components away from flames, sources of heat and flammable materials.

Disclaimer and Warranty

NOTICE: Since we cannot control the storage and use of our products, once sold we cannot assume any responsibility for product storage, transportation or usage. RCS shall not be held responsible for any personal injury or property damage resulting from the handling, storage or use of our product. The buyer assumes all risks and liabilities therefrom and accepts and uses AeroTech/RCS products on these conditions. No warranty either expressed or implied is made regarding AeroTech products, except for replacement or repair, at RCS's option, of those products which are proven to be defective in manufacture within one year from the date of original purchase. For repair or replacement under this warranty, please contact RCS. Proof of purchase will be required. Note: Your state may provide additional rights not covered by this warranty.

AeroTech Division
RCS Rocket Motor Components, Inc.
Cedar City, UT 84720
www.aerotech-rocketry.com

P/N 19967 Rev. 6/25/04
Made in U.S.A.
©2004 RCS Rocket Motor Components, Inc.
All rights reserved



Advanced
Delay
Sealing
System

38MM HIGH-POWER RMS-PLUS™ RELOAD DELAY KIT (RDK)

AeroTech Product No: RDK-17PLUS

For Use With The Following RMS™ Reload Kits ONLY:
H148R-M, I218R-M, I285R-M, I366R-M, J420R-M

This RDK Contains The Following Parts:

Part No.	Description	Qty.
03367	RMS-Plus™ delay element (.532" long grey solid part)	3
03323	Aft delay spacer (.312" long pink paper ring)	3

NOTE: The delay o-ring, delay insulator and forward delay spacer mentioned in the RDK instructions now come supplied with all RMS™ reload part kits.

NOTE: SALE TO PERSONS UNDER 18 YEARS OF AGE PROHIBITED BY FEDERAL LAW. WARNING-FLAMMABLE: Read Instructions Before Use. KEEP OUT OF REACH OF CHILDREN. FOR USE ONLY BY CERTIFIED HIGH-POWER USERS 18 YEARS OF AGE OR OLDER. DO NOT SMOKE when loading these motors or use in the vicinity of open flames.

First Aid

For a minor burn, apply a burn ointment. For a severe burn, immerse the burned area in ice water at once and see a physician as quickly as possible. In the unlikely event of oral ingestion of the propellant, induce vomiting and see a physician as quickly as possible. The AeroTech/RCS reload delay kit pyrotechnic components consists primarily of ammonium perchlorate and a rubber-like plastic elastomer.

Disposal

Damaged or defective reload delay kits should be returned to RCS.

Fire Safety

Tests show that the pyrotechnic components of RMS™ reload delay kits will not explode in fires and normally will not ignite unless subjected to direct flame and then will burn slowly. Use water to fight any fires in which AeroTech/RCS RMS™ reload delay kit pyrotechnic components may become involved: Direct the water at the AeroTech/RCS RMS™ reload delay kit pyrotechnic components to keep them below their 550 deg. F autoignition temperature. Foam and carbon dioxide fire extinguishers will NOT extinguish burning propellants of the type used in RMS™ reload delay kit pyrotechnic components. Keep reload delay kit pyrotechnic components away from flames, sources of heat and flammable materials.

Disclaimer and Warranty

NOTICE: Since we cannot control the storage and use of our products, once sold we cannot assume any responsibility for product storage, transportation or usage. RCS shall not be held responsible for any personal injury or property damage resulting from the handling, storage or use of our product. The buyer assumes all risks and liabilities therefrom and accepts and uses AeroTech/RCS products on these conditions. No warranty either expressed or implied is made regarding AeroTech products, except for replacement or repair, at RCS's option, of those products which are proven to be defective in manufacture within one year from the date of original purchase. For repair or replacement under this warranty, please contact RCS. Proof of purchase will be required. Note: Your state may provide additional rights not covered by this warranty.

AeroTech Division
RCS Rocket Motor Components, Inc.
Cedar City, UT 84720
www.aerotech-rocketry.com

P/N 19989 Rev. 3/1/10
Made in U.S.A.
©2010 RCS Rocket Motor Components, Inc.
All rights reserved



Advanced
Delay
Sealing
System

38MM HIGH-POWER RMS-PLUS™ RELOAD DELAY KIT (RDK)

AeroTech Product No: RDK-39PLUS

For Use With The Following RMS™ Reload Kit ONLY:
I245G-S

This RDK Contains The Following Parts:

Part No.	Description	Qty.
03361	RMS-Plus™ delay element (.438" long grey solid part)	3
03330	Aft delay spacer (.405" long pink paper ring)	3

NOTE: The delay o-ring, delay insulator and forward delay spacer mentioned in the RDK instructions now come supplied with all RMS™ reload part kits.

NOTE: SALE TO PERSONS UNDER 18 YEARS OF AGE PROHIBITED BY FEDERAL LAW. WARNING-FLAMMABLE: Read Instructions Before Use. KEEP OUT OF REACH OF CHILDREN. FOR USE ONLY BY CERTIFIED HIGH-POWER USERS 18 YEARS OF AGE OR OLDER. DO NOT SMOKE when loading these motors or use in the vicinity of open flames.

First Aid

For a minor burn, apply a burn ointment. For a severe burn, immerse the burned area in ice water at once and see a physician as quickly as possible. In the unlikely event of oral ingestion of the propellant, induce vomiting and see a physician as quickly as possible. The AeroTech/RCS reload delay kit pyrotechnic components consists primarily of ammonium perchlorate and a rubber-like plastic elastomer.

Disposal

Damaged or defective reload delay kits should be returned to RCS.

Fire Safety

Tests show that the pyrotechnic components of RMS™ reload delay kits will not explode in fires and normally will not ignite unless subjected to direct flame and then will burn slowly. Use water to fight any fires in which AeroTech/RCS RMS™ reload delay kit pyrotechnic components may become involved: Direct the water at the AeroTech/RCS RMS™ reload delay kit pyrotechnic components to keep them below their 550 deg. F autoignition temperature. Foam and carbon dioxide fire extinguishers will NOT extinguish burning propellants of the type used in RMS™ reload delay kit pyrotechnic components. Keep reload delay kit pyrotechnic components away from flames, sources of heat and flammable materials.

Disclaimer and Warranty

NOTICE: Since we cannot control the storage and use of our products, once sold we cannot assume any responsibility for product storage, transportation or usage. RCS shall not be held responsible for any personal injury or property damage resulting from the handling, storage or use of our product. The buyer assumes all risks and liabilities therefrom and accepts and uses AeroTech/RCS products on these conditions. No warranty either expressed or implied is made regarding AeroTech products, except for replacement or repair, at RCS's option, of those products which are proven to be defective in manufacture within one year from the date of original purchase. For repair or replacement under this warranty, please contact RCS. Proof of purchase will be required. Note: Your state may provide additional rights not covered by this warranty.

AeroTech Division
RCS Rocket Motor Components, Inc.
Cedar City, UT 84720
www.aerotech-rocketry.com

P/N 19989 Rev. 3/1/10
Made in U.S.A.
©2010 RCS Rocket Motor Components, Inc.
All rights reserved



Advanced
Delay
Sealing
System

38MM HIGH-POWER RMS-PLUS™ RELOAD DELAY KIT (RDK)

AeroTech Product No: RDK-39PLUS

For Use With The Following RMS™ Reload Kit ONLY:
I245G-S

This RDK Contains The Following Parts:

Part No.	Description	Qty.
03361	RMS-Plus™ delay element (.438" long grey solid part)	3
03330	Aft delay spacer (.405" long pink paper ring)	3

NOTE: The delay o-ring, delay insulator and forward delay spacer mentioned in the RDK instructions now come supplied with all RMS™ reload part kits.

NOTE: SALE TO PERSONS UNDER 18 YEARS OF AGE PROHIBITED BY FEDERAL LAW. WARNING-FLAMMABLE: Read Instructions Before Use. KEEP OUT OF REACH OF CHILDREN. FOR USE ONLY BY CERTIFIED HIGH-POWER USERS 18 YEARS OF AGE OR OLDER. DO NOT SMOKE when loading these motors or use in the vicinity of open flames.

First Aid

For a minor burn, apply a burn ointment. For a severe burn, immerse the burned area in ice water at once and see a physician as quickly as possible. In the unlikely event of oral ingestion of the propellant, induce vomiting and see a physician as quickly as possible. The AeroTech/RCS reload delay kit pyrotechnic components consists primarily of ammonium perchlorate and a rubber-like plastic elastomer.

Disposal

Damaged or defective reload delay kits should be returned to RCS.

Fire Safety

Tests show that the pyrotechnic components of RMS™ reload delay kits will not explode in fires and normally will not ignite unless subjected to direct flame and then will burn slowly. Use water to fight any fires in which AeroTech/RCS RMS™ reload delay kit pyrotechnic components may become involved: Direct the water at the AeroTech/RCS RMS™ reload delay kit pyrotechnic components to keep them below their 550 deg. F autoignition temperature. Foam and carbon dioxide fire extinguishers will NOT extinguish burning propellants of the type used in RMS™ reload delay kit pyrotechnic components. Keep reload delay kit pyrotechnic components away from flames, sources of heat and flammable materials.

Disclaimer and Warranty

NOTICE: Since we cannot control the storage and use of our products, once sold we cannot assume any responsibility for product storage, transportation or usage. RCS shall not be held responsible for any personal injury or property damage resulting from the handling, storage or use of our product. The buyer assumes all risks and liabilities therefrom and accepts and uses AeroTech/RCS products on these conditions. No warranty either expressed or implied is made regarding AeroTech products, except for replacement or repair, at RCS's option, of those products which are proven to be defective in manufacture within one year from the date of original purchase. For repair or replacement under this warranty, please contact RCS. Proof of purchase will be required. Note: Your state may provide additional rights not covered by this warranty.

AeroTech Division
RCS Rocket Motor Components, Inc.
Cedar City, UT 84720
www.aerotech-rocketry.com

P/N 19990 Rev. 3/1/10
Made in U.S.A.
©2010 RCS Rocket Motor Components, Inc.
All rights reserved



Advanced
Delay
Sealing
System

38MM HIGH-POWER RMS-PLUS™ RELOAD DELAY KIT (RDK)

AeroTech Product No: RDK-40PLUS

For Use With The Following RMS™ Reload Kit ONLY:

J500G-S

This RDK Contains The Following Parts:

Part No.	Description	Qty.
03359	RMS-Plus™ delay element (.375" long grey solid part)	3
03332	Aft delay spacer (.438" long silver paper ring)	3

NOTE: The delay o-ring, delay insulator and forward delay spacer mentioned in the RDK instructions now come supplied with all RMS™ reload part kits.

NOTE: SALE TO PERSONS UNDER 18 YEARS OF AGE PROHIBITED BY FEDERAL LAW. WARNING-FLAMMABLE: Read Instructions Before Use. KEEP OUT OF REACH OF CHILDREN. FOR USE ONLY BY CERTIFIED HIGH-POWER USERS 18 YEARS OF AGE OR OLDER. DO NOT SMOKE when loading these motors or use in the vicinity of open flames.

First Aid

For a minor burn, apply a burn ointment. For a severe burn, immerse the burned area in ice water at once and see a physician as quickly as possible. In the unlikely event of oral ingestion of the propellant, induce vomiting and see a physician as quickly as possible. The AeroTech/RCS reload delay kit pyrotechnic components consists primarily of ammonium perchlorate and a rubber-like plastic elastomer.

Disposal

Damaged or defective reload delay kits should be returned to RCS.

Fire Safety

Tests show that the pyrotechnic components of RMS™ reload delay kits will not explode in fires and normally will not ignite unless subjected to direct flame and then will burn slowly. Use water to fight any fires in which AeroTech/RCS RMS™ reload delay kit pyrotechnic components may become involved: Direct the water at the AeroTech/RCS RMS™ reload delay kit pyrotechnic components to keep them below their 550 deg. F autoignition temperature. Foam and carbon dioxide fire extinguishers will NOT extinguish burning propellants of the type used in RMS™ reload delay kit pyrotechnic components. Keep reload delay kit pyrotechnic components away from flames, sources of heat and flammable materials.

Disclaimer and Warranty

NOTICE: Since we cannot control the storage and use of our products, once sold we cannot assume any responsibility for product storage, transportation or usage. RCS shall not be held responsible for any personal injury or property damage resulting from the handling, storage or use of our product. The buyer assumes all risks and liabilities therefrom and accepts and uses AeroTech/RCS products on these conditions. No warranty either expressed or implied is made regarding AeroTech products, except for replacement or repair, at RCS's option, of those products which are proven to be defective in manufacture within one year from the date of original purchase. For repair or replacement under this warranty, please contact RCS. Proof of purchase will be required. Note: Your state may provide additional rights not covered by this warranty.

AeroTech Division
RCS Rocket Motor Components, Inc.
Cedar City, UT 84720
www.aerotech-rocketry.com

P/N 19990 Rev. 3/1/10
Made in U.S.A.
©2010 RCS Rocket Motor Components, Inc.
All rights reserved



Advanced
Delay
Sealing
System

38MM HIGH-POWER RMS-PLUS™ RELOAD DELAY KIT (RDK)

AeroTech Product No: RDK-40PLUS

For Use With The Following RMS™ Reload Kit ONLY:

J500G-S

This RDK Contains The Following Parts:

Part No.	Description	Qty.
03359	RMS-Plus™ delay element (.375" long grey solid part)	3
03332	Aft delay spacer (.438" long silver paper ring)	3

NOTE: The delay o-ring, delay insulator and forward delay spacer mentioned in the RDK instructions now come supplied with all RMS™ reload part kits.

NOTE: SALE TO PERSONS UNDER 18 YEARS OF AGE PROHIBITED BY FEDERAL LAW. WARNING-FLAMMABLE: Read Instructions Before Use. KEEP OUT OF REACH OF CHILDREN. FOR USE ONLY BY CERTIFIED HIGH-POWER USERS 18 YEARS OF AGE OR OLDER. DO NOT SMOKE when loading these motors or use in the vicinity of open flames.