

8

7

6

5

4

3

2

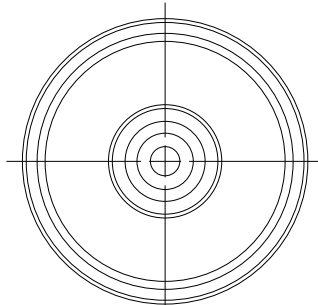
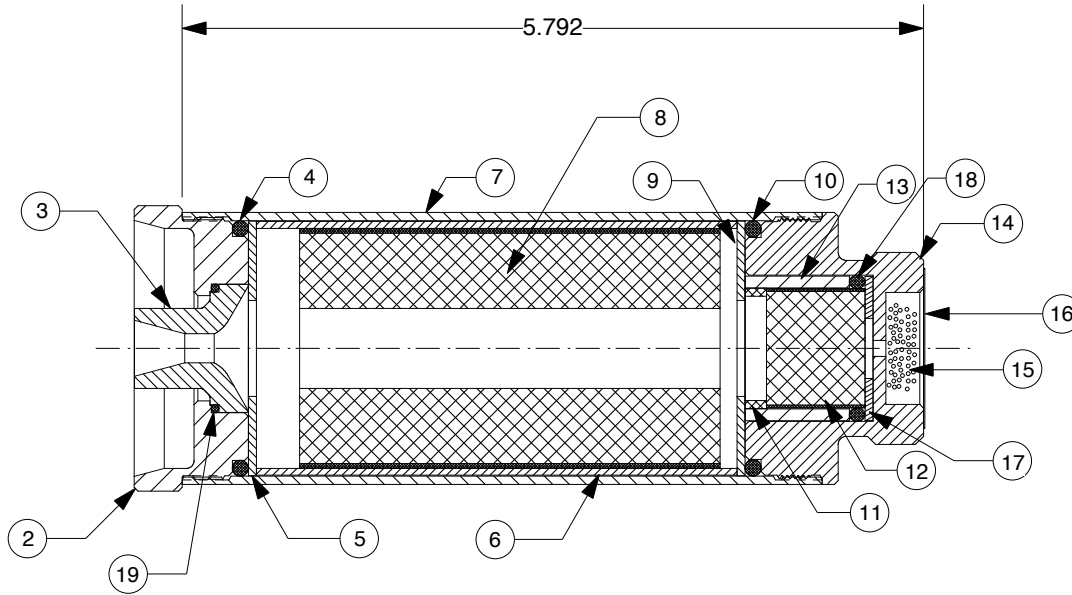
1

REVISIONS

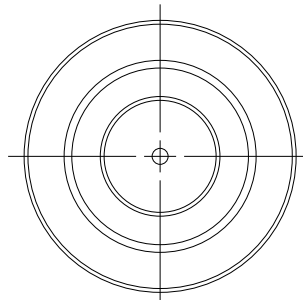
EFFECTIVITY	REV	DESCRIPTION	DATE	APPROVED
FUTURE	A	FIRST RELEASE ISSUE	7 / 2 / 07	
FUTURE	B	REDESIGNED WITH NEW AFT CLOSURE, NOZZLE, AFT INSULATOR & LINER	12 / 9 / 09	

NOTES:

1. MOTOR ASSEMBLY SHOWN WITH SPECIFIED MOTOR HARDWARE & RELOAD KIT.



VIEW AFT CLOSURE



VIEW FORWARD CLOSURE

1	00020	NOZZLE O-RING (1" O.D. X 1/16") 020	19
1	00002	DELAY O-RING (1.17" O.D. X .123")	18
1	03355	FWD DELAY SPACER (1-1/8" O.D. X .062")	17
1	05604	EJECTION CHARGE CAP (1-1/4")	16
1	03700	EJECTION CHARGE (USER SUPPLIED)	15
1	54FCC	FORWARD CLOSURE (REGULAR)	14
1	03356	DELAY INSULATOR (1.13" O.D. X .815")	13
1	03918	DELAY GRAIN (.933" O.D. X .778")	12
1	03968	AFT DELAY SPACER (.94" O.D. X .160")	11
1	00224	FORWARD O-RING (2" O.D. X 1/8") 224	10
1	05406	FORWARD INSULATOR (1.99" O.D. X 1/16")	9
1	03601	PROPELLANT GRAIN (1.870" O.D. X 3.285")	8
1	5442C	54/426 CASE	7
1	02070-1	PAPER LINER (1.99" O.D. X 3.755")	6
1	05406	AFT INSULATOR (1.99" O.D. X 1/16")	5
1	00224	AFT O-RING (2" O.D. X 1/8") 224	4
1	01500-5	NOZZLE (F60/G80) DRILLED .228"	3
1	54ACCSN	54MM AFT CLOSURE SMALL NOZZLE	2

SUPPLIER DATA

AEROTECH/RCS RMC INC.

RELOAD KIT IDENTIFICATION

09115M

I115W-M

UNLESS OTHERWISE SPECIFIED DIMENSIONS ARE IN INCHES

.XX +/- .010	.XXX +/- .005	ANGLES +/- 2 deg.
-----------------	------------------	----------------------

MATERIAL

NOTED

FINISH

PART NUMBER

DESCRIPTION

QTY PART NUMBER DESCRIPTION ITEM

LIST OF MATERIAL

CONTRACT NUMBER



2113 W. 850 N. Street
Cedar City, Utah 84720
(435) 865-7100 (Ph)
(435) 865-7120 (Fax)

PREP G. ROSENFIELD 7 / 07

CHKR

APVD

APVD

**HP 54/426 MOTOR WITH I115W-M
RMS-PLUS™ RELOAD KIT**

SIZE

SCALE 1 / 1.5

NUMBER

SHEET 1 OF 1

ASSY DWG

8

7

6

5

4

3

2

1