

8

7

6

5

4

3

2

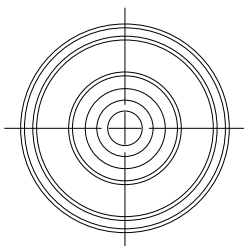
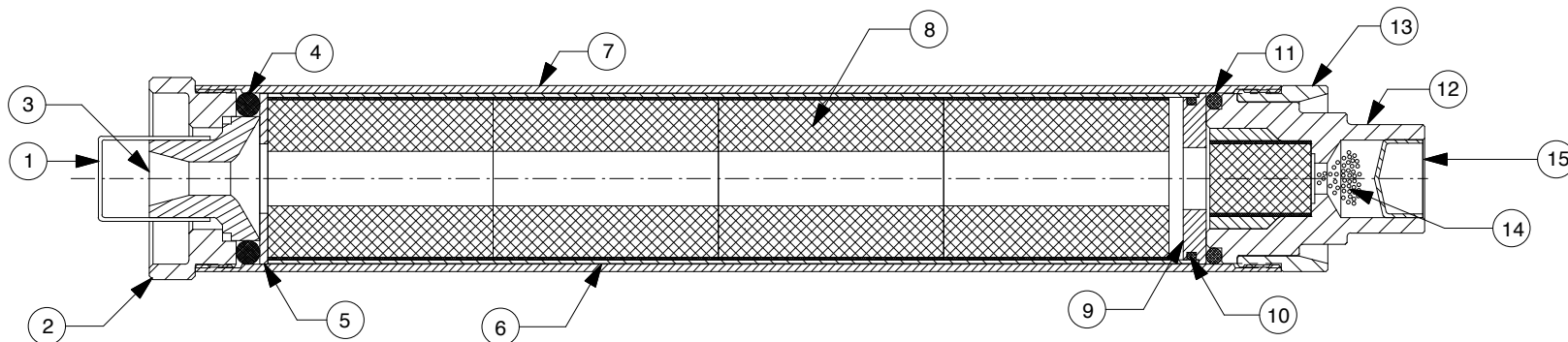
1

REVISIONS

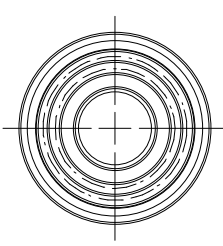
EFFECTIVITY	REV	DESCRIPTION	DATE	APPROVED
FUTURE	A	FIRST RELEASE ISSUE	8 / 19 / 13	

NOTES:

- MOTOR ASSEMBLY SHOWN WITH SPECIFIED MOTOR HARDWARE & RELOAD KIT.




VIEW AFT CLOSURE



VIEW FORWARD CLOSURE

1	0406-5	EJECTION CAPLUG	15
1	05708	EJECTION CHARGE ASSY	14
1	38FCRR	38MM FWD CLOSURE RETAINING RING	13
1	38EZBAW	RMS-EZ FWD BULKHEAD ASSY- WL	12
1	00216	FORWARD O-RING (1 3/8" O.D. X 1/8") 216	11
1	00025	SEAL DISC O-RING (1.313" X 1/16") 025	10
1	38601	FWD SEAL DISC (1.375"O.D.X.5"1.D.X.188")	9
4	03581	PROPELLANT (1.308" O.D. X 1.815") 8225W	8
1	3848C	CASE	7
1	02065-4	PHENOLIC LINER (1.368" O.D. X 7.50")	6
1	05404	AFT INSULATOR(1.375"O.D.X.562"1.D.X1/16")	5
1	00318	AFT O-RING (1.375" O.D. X 3/16") 318	4
1	01500-6	NOZZLE (F60/G80) DRILLED .266"	3
1	38AC2	AFT CLOSURE L2	2
1	04580	NOZZLE CAP (5/8" I.D)	1

QTY	PART NUMBER	DESCRIPTION	ITEM
LIST OF MATERIAL			
CONTRACT NUMBER		 2113 W. 650 N. Street Cedar City, Utah 84721 (435) 865-7100 (Ph) (435) 865-7120 (Fax)	
PREP	G. ROSENFELD		
CHKR			
APVD		SIZE A	NUMBER
APVD		ASSY DWG	
SCALE 1 / 1.5			SHEET 1 OF 1

SUPPLIER DATA

AEROTECH DIV RCS RMC, INC.

RELOAD KIT IDENTIFICATION

092114

I211W-14A RMS-EZ

UNLESS OTHERWISE SPECIFIED DIMENSIONS ARE IN INCHES

.XX +/- .010	.XXX +/- .005	ANGLES +/- 2 deg.
-----------------	------------------	----------------------

MATERIAL

NOTED

FINISH

PART NUMBER

DESCRIPTION

8

7

6

5

4

3

2

1