

8

7

6

5

4

3

2

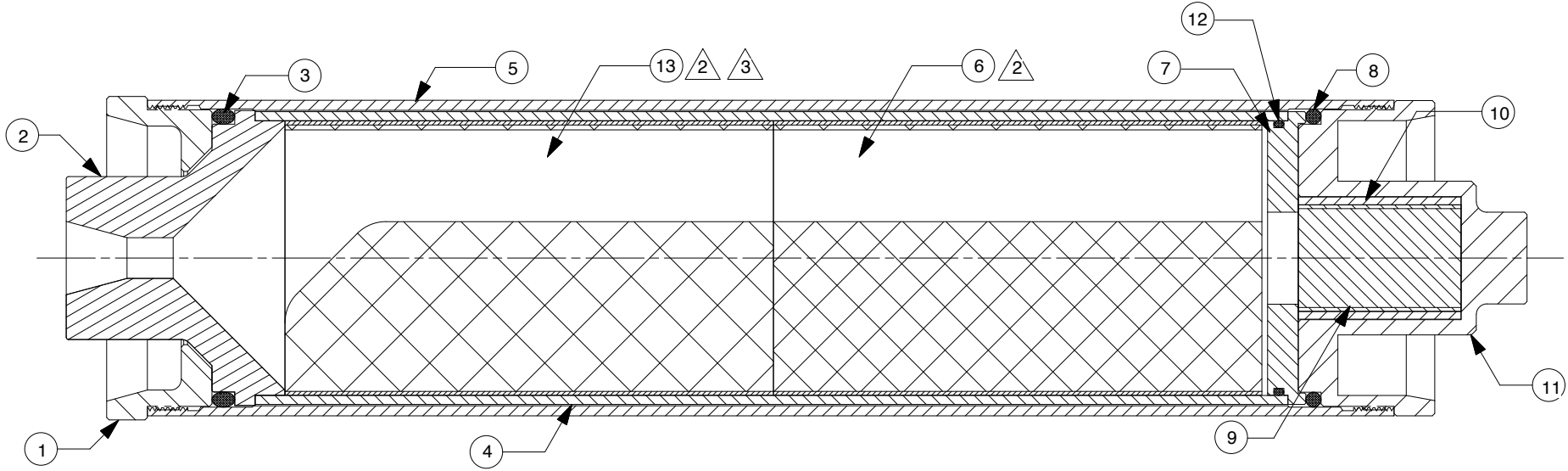
1

REVISIONS

EFFECTIVITY	REV	DESCRIPTION	DATE	APPROVED
FUTURE	A	FIRST RELEASE ISSUE	6 / 23 / 10	

NOTES:

- 1. MOTOR ASSEMBLY SHOWN WITH SPECIFIED MOTOR HARDWARE & RELOAD KIT.
- 2. GRAINS BONDED TOGETHER WITH 15-MINUTE EPOXY RESIN PER RELOAD KIT INSTRUCTION SHEET.
- 3. AFT GRAIN CHAMFERED END ORIENTED TOWARD NOZZLE



QTY	PART NUMBER	DESCRIPTION	ITEM
1	03623-1	AFT PROP GRAIN (3.37" O.D. X 6.00" CHAMFERED)	13
1	00151	FWD SEAL DISK O-RING (3-3/8" O.D. X 3/32") 151	12
1	98FCP	FORWARD CLOSURE (PLUGGED)	11
1	03081	SMOKE CHG INSULATOR (1.5" O.D. X 2.0")	10
1	03288	SMOKE CHARGE(1.305"O.D. X 2.0")	9
1	00339	FORWARD O-RING (3.625" O.D. X 3/16") 339	8
1	98FSD	FORWARD SEAL DISK	7
1	03623	FWD PROPELLANT GRAIN (3.37" O.D. X 6.00")	6
1	9851C	CASE	5
1	03040-2	PHENOLIC LINER (3.592" O.D. X 12.688")	4
1	00339	AFT O-RING (3.625" O.D. X 3/16") 339	3
1	01800-3	NOZZLE ( KLMN 98MM) .500" DRILLED	2
1	98ACC	AFT CLOSURE	1

SUPPLIER DATA		RELOAD KIT IDENTIFICATION	
AEROTECH DIV. RCS RMC INC.	12400P	L400W-PS	
PART NUMBER		DESCRIPTION	

UNLESS OTHERWISE SPECIFIED DIMENSIONS ARE IN INCHES		
.XX +/- .010	.XXX +/- .005	ANGLES +/- 2 deg.
MATERIAL		
NOTED		
FINISH		

LIST OF MATERIAL

CONTRACT NUMBER

PREP G. ROSENFELD 6 / 10

CHKR

APVD

APVD

SCALE 1 / 2

SHEET 1 OF 1

2113 W. 850 N. Street  
Cedar City, Utah 84721  
(435) 865-7100 (Ph)  
(435) 865-7120 (Fax)

**HP 98/5120 MOTOR WITH L400W-PS RELOAD KIT**

**ASSY DWG**

8

7

6

5

4

3

2

1