

8

7

6

5

4

3

2

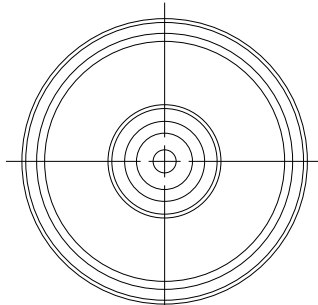
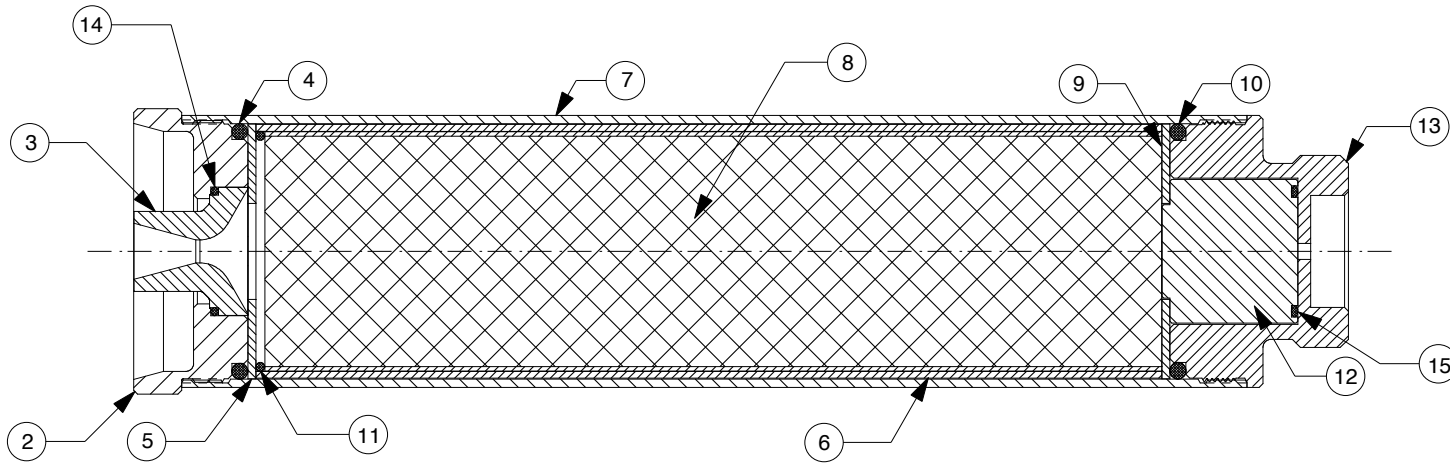
1

REVISIONS

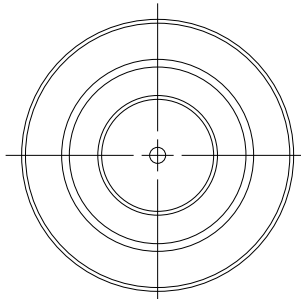
EFFECTIVITY	REV	DESCRIPTION	DATE	APPROVED
FUTURE	A	FIRST RELEASE ISSUE	6 / 10 / 09	

NOTES:

1. MOTOR ASSEMBLY SHOWN WITH SPECIFIED MOTOR HARDWARE & RELOAD KIT.



VIEW AFT CLOSURE



VIEW FORWARD CLOSURE

1	00020	BULKHEAD PLUG O-RING (1" O.D. X 1/16") 020	15
1	00020	NOZZLE O-RING (1" O.D. X 1/16") 020	14
1	54FCC	FORWARD CLOSURE (REGULAR)	13
1	54FCBP	54MM FORWARD CLOSURE BULKHEAD PLUG	12
1	00031	GRAIN SPACER O-RING (1-7/8" O.D. X 1/16") 031	11
1	00224	FORWARD O-RING (2" O.D. X 1/8") 224	10
1	05406	FORWARD INSULATOR (1.99" O.D. X 1/16")	9
1	03602-11	PROPELLANT GRAIN (1.870" O.D. X 7.008")	8
1	5485C	CASE	7
1	03000-J99	PHENOLIC LINER (1.99" O.D. X 7.078")	6
1	05406	AFT INSULATOR (1.99" O.D. X 1/16")	5
1	00224	AFT O-RING (2" O.D. X 1/8") 224	4
1	01500	NOZZLE (F60/G80) .180" DT UNDRILLED	3
1	54ACCSN	54MM AFT CLOSURE SMALL NOZZLE	2

SUPPLIER DATA

AEROTECH DIV RCS RMC INC.

RELOAD KIT IDENTIFICATION

10099P

J99N-P

UNLESS OTHERWISE SPECIFIED DIMENSIONS ARE IN INCHES

.XX +/- .010	.XXX +/- .005	ANGLES +/- 2 deg.
-----------------	------------------	----------------------

MATERIAL

NOTED

FINISH

QTY	PART NUMBER	DESCRIPTION	ITEM
-----	-------------	-------------	------

LIST OF MATERIAL

CONTRACT NUMBER



2113 W. 850 N. Street
Cedar City, Utah 84720
(435) 865-7100 (Ph)
(435) 865-7120 (Fax)

PREP G. ROSENFELD 6 / 09

CHKR

APVD

APVD

**HP 54/852 MOTOR WITH
J99N-P RELOAD KIT**

SIZE **A** NUMBER **ASSY DWG**

SCALE 1 / 1.5

SHEET 1 OF 1

PART NUMBER

DESCRIPTION

8

7

6

5

4

3

2

1