

8

7

6

5

4

3

2

1

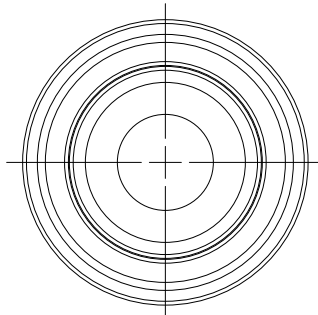
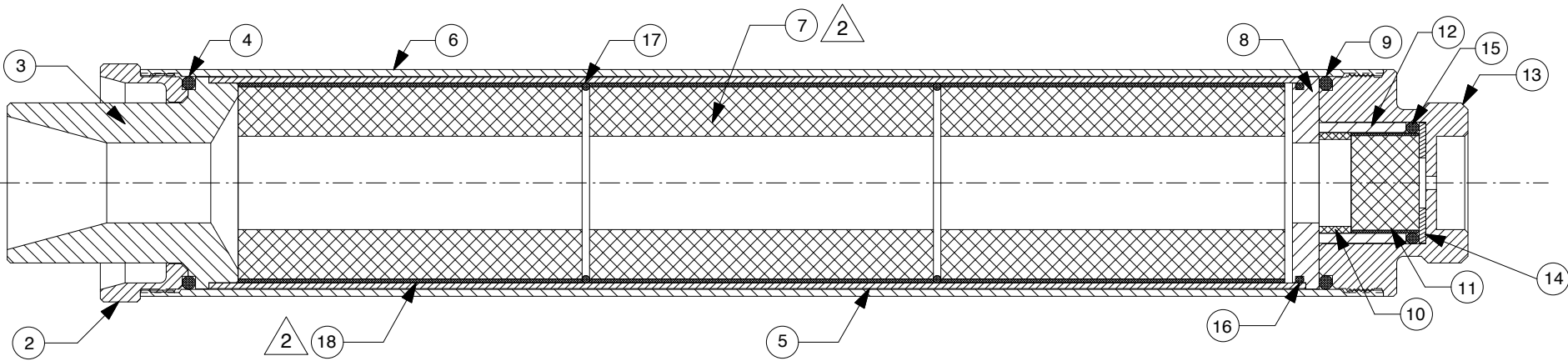
### REVISIONS

EFFECTIVITY	REV	DESCRIPTION	DATE	APPROVED
FUTURE	A	FIRST RELEASE ISSUE	7/2/10	

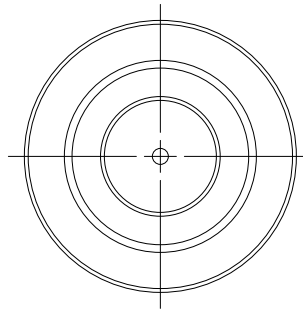
### NOTES:

1. MOTOR ASSEMBLY SHOWN WITH SPECIFIED MOTOR HARDWARE & RELOAD KIT.

2. AFT GRAIN BONDED TO LINER WITH 30 MINUTE EPOXY



VIEW AFT CLOSURE



VIEW FORWARD CLOSURE

AR	N/A	DESCRIPTION	ITEM
2	00031	GRAIN SPACER O-RINGS (1-7/8" O.D. X 1/16") 031	17
1	00031	FWD SEAL DISK O-RING (1-7/8" O.D. X 1/16") 031	16
1	00002	DELAY O-RING (1.17" O.D. X .123")	15
1	03355	FWD DELAY SPACER (1-1/8" O.D. X .062")	14
1	54FCC	FORWARD CLOSURE (REGULAR)	13
1	03356	DELAY INSULATOR (1.13" O.D. X .815")	12
1	03910	DELAY GRAIN (.933" O.D. X .639")	11
1	03960	AFT DELAY SPACER (.94" O.D. X .299")	10
1	00224	FORWARD O-RING (2" O.D. X 1/8") 224	9
1	54FSD	FORWARD SEAL DISK- 54MM RMS	8
3	03602-9	PROPELLANT GRAINS (1.87" O.D. X 3.223")	7
1	5412C	CASE	6
1	03000-3	PHENOLIC LINER (1.99" O.D. X 10.280")	5
1	00224	AFT O-RING (2" O.D. X 1/8") 224	4
1	01670-7	54MM H/P NOZZLE (.750" DT DRILLED)	3
1	54ACC	AFT CLOSURE	2

QTY	PART NUMBER	DESCRIPTION	ITEM
			1

#### LIST OF MATERIAL

CONTRACT NUMBER		<p>2113 W. 850 N. Street Cedar City, Utah 84721 (435) 865-7100 (Ph) (435) 865-7120 (Fax)</p>
PREP	G. ROSENFELD 7/10	
CHKR		<p><b>HP 54/1280 MOTOR WITH J1799N-P RMS-PLUS™ RELOAD KIT</b></p>
APVD		
APVD		<p>SIZE <b>A</b> NUMBER</p> <p><b>ASSY DWG</b></p>

### SUPPLIER DATA

AEROTECH DIV RCS RMS INC.

### RELOAD KIT IDENTIFICATION

10179P

J1799N-PS

UNLESS OTHERWISE SPECIFIED DIMENSIONS ARE IN INCHES

.XX +/- .010	.XXX +/- .005	ANGLES +/- 2 deg.
-----------------	------------------	----------------------

MATERIAL

NOTED

FINISH

PART NUMBER

DESCRIPTION

8

7

6

5

4

3

2

1

SCALE 1/1.5

SHEET 1 OF 1